



FEATURES

- Intel® Celeron® processor J1900, up to 2.0GHz
- 1x 204-pin DDR3L SODIMM. max up to 8GB
- Dual independent display supported by 1x DVI-I and DisplayPort
- 2x Intel® GbE supporting Wake-on-LAN and PXE
- 2x 2.5" internal SATA HDD bay,
1x mSATA (shared by 1x Mini PCIe & 1x SATA),
1x CFast (shared by 1x mSATA & 1x SATA)
- 2x full-size Mini PCIe for communication or expansion modules
- 6x RS-232/422/485 (w/ 4x internal), 1x USB 3.0, 3x USB 2.0
- 1x PCI expansion
- 8x DI + 8x DO with isolation
- 9 to 50VDC wide range power input supporting AT/ATX mode
- -40°C to 70°C extended operating temperature

SPECIFICATIONS

System	
Processor	Intel® Celeron® Processor J1900, Quad Core, 2MB Cache, 2.0 GHz
System Chipset	SoC integrated
LAN Chipset	GbE1 & GbE2: Intel I210-AT (Support Wake-on-LAN and PXE)
Audio Codec	Realtek ALC888S
System Memory	1x 204-Pin DDR3L 1066/1333MHz SODIMM. Max. up to 8 GB
BIOS	AMI 64Mbit SPI BIOS
Watchdog	Software Programmable Supports 1~255 sec. System Reset
Display	
VGA	Yes (by optional split cable)
DVI	1x DVI-I
DisplayPort	1x DisplayPort
Multiple Display	Dual Display
Storage	
SSD/HDD	2x Internal 2.5" SATA HDD Bay
mSATA	1x mSATA (shared by 1x Mini PCI Express & 1x SATA)
CFast	1x CFast (shared by 1x mSATA & 1x SATA)
Expansion	
Mini PCI Express	1x Full-size Mini-PCIe Socket (PCIe + USB + SATA) (Share by 1x SATA) 1x Full-size Mini-PCIe Socket (USB)
PCI	1x PCI
Card Dimension	175 (L) x 112 (H) mm

I/O	
COM	2x RS-232/422/485 4x RS-232/422/485 (internal)
USB	1x USB 3.0, 3x USB 2.0
LAN	2x RJ45
Audio	1x Mic-in, 1x Line-out
DIO	8 in / 8 out (Isolated)
Others	2x WiFi Antenna Holes 1x Power Switch, 1x AT/ATX Switch, 1x Remote Power On/Off

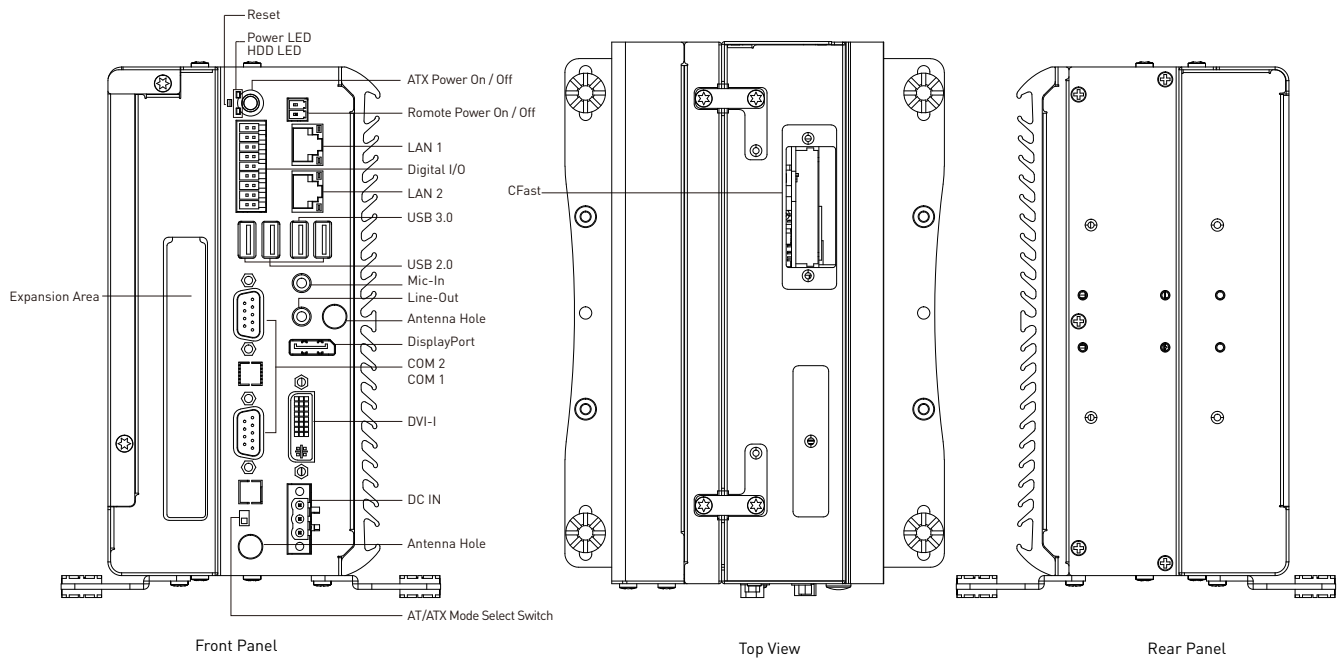
Operating System	
Windows	Windows 10, Windows 7, WES7
Linux	Linux kernel 3.X

Power	
Power Mode	AT, ATX
Power Supply Voltage	9-50VDC
Power Connector	3-pin Terminal Block
Power Adaptor	Optional AC/DC 12V/5A, 60W
Power Protection	OVP (Over Voltage Protection) OCP (Over Current Protection) Reverse Protection

Environment	
Operating Temp.	-40°C to 70°C
Storage Temp.	-40°C to 85°C
Relative Humidity	10% to 95% (non-condensing)
Vibration	With SSD: 3 Grms, 5 - 500 Hz, 0.5 hr/axis With HDD: 1 Grms, 5 - 500 Hz, 0.5 hr/axis
Shock	With SSD: 50G, half sine, 11ms
Standards / Certification	CE, FCC Class A

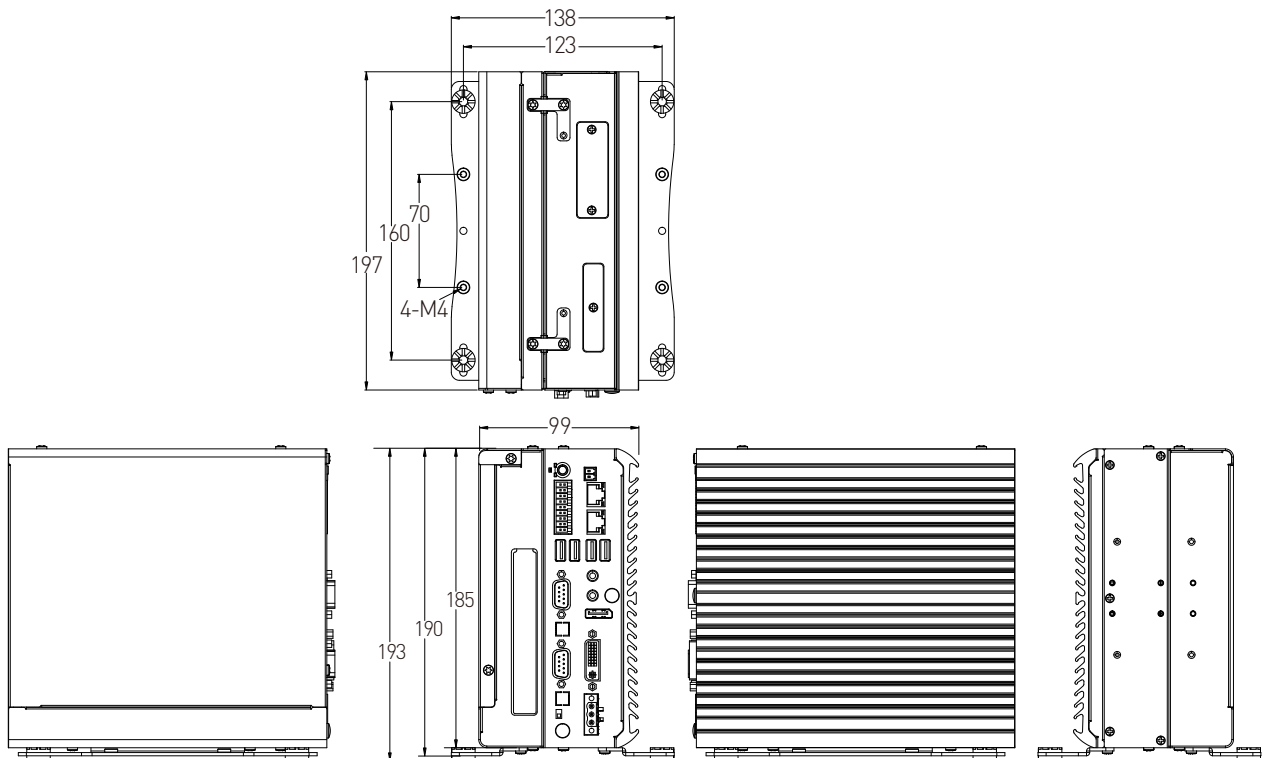
Physical	
Construction	Extruded Aluminum with Heavy Duty Metal
Dimension	99 (W) x 197 (D) x 185 (H) mm
Weight	3.37 kg
Mounting	Wall / Book Mounting

EXTERNAL I/O MECHANICAL LAYOUT



DIMENSION

Unit: mm



ORDERING INFORMATION

MODEL NO.	DESCRIPTION
1-E09A06007	Adapter AC/DC 12V 5A 60W with 3pin Terminal Block Plug 5.0mm Pitch
SFICBL022	Power Cord, 3-pin US Type, 180cm
1-TPCD00002	Power Cord, European Type
1-TPCD00001	Power Cord, 3-pin UK Type, 180cm

PACKING LIST

- 1x VCO-3100 Series Embedded System
- 1x Utility DVD Driver
- 1x Wall Mount Kit
- 1x Accessory Kit
- 1x DVI to VGA Adapter

AVAILABLE MODELS

MODEL NO.	DESCRIPTION
VCO-3111P-J1900	Machine Vision System with Intel® Celeron® Processor J1900, 1x PCI