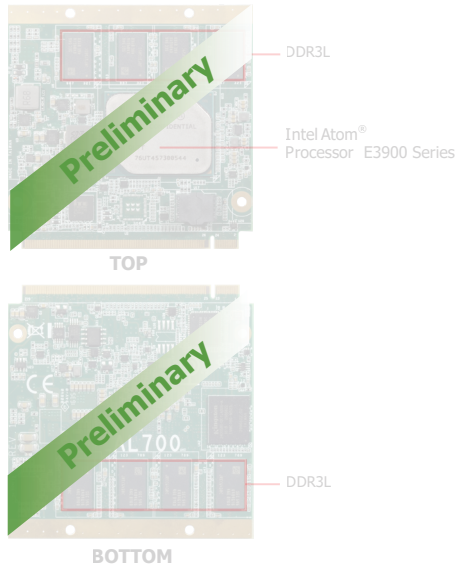


AP700



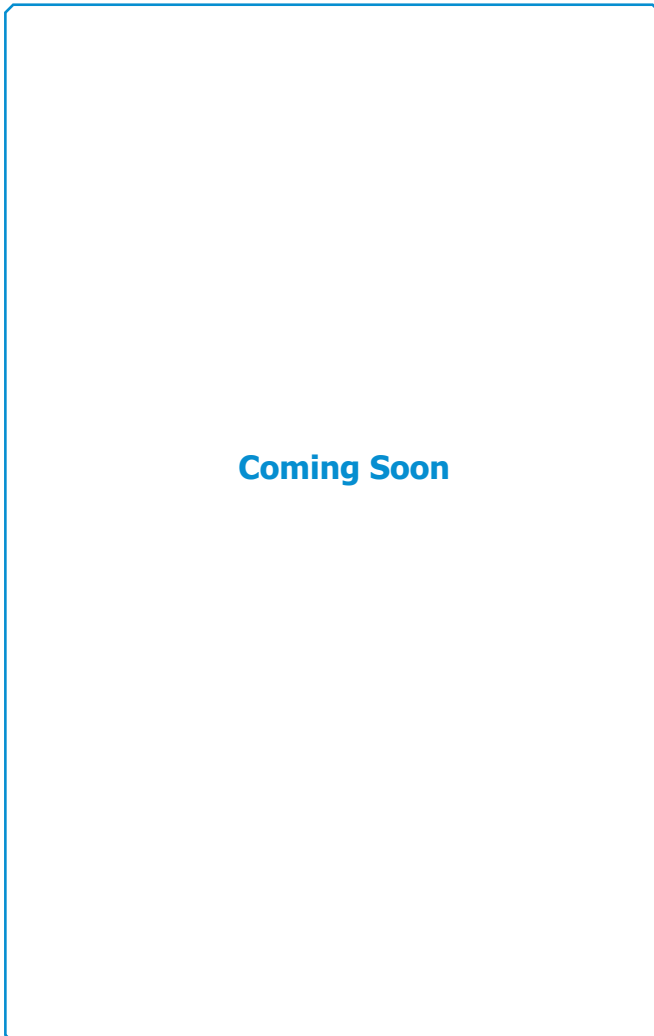
Features

- 3GB/6GB LPDDR4 Memory Down
- 1 HDMI, 1 LVDS
Supports dual displays: HDMI+LVDS
- HDMI 2.0 resolution supports up to 3840x2400 @ 60Hz
- Multiple expansions: 1 PCIe x1
- Rich I/O: 1 Intel GbE, 7 USB 3.0, 3 USB 2.0, 1 USB OTG

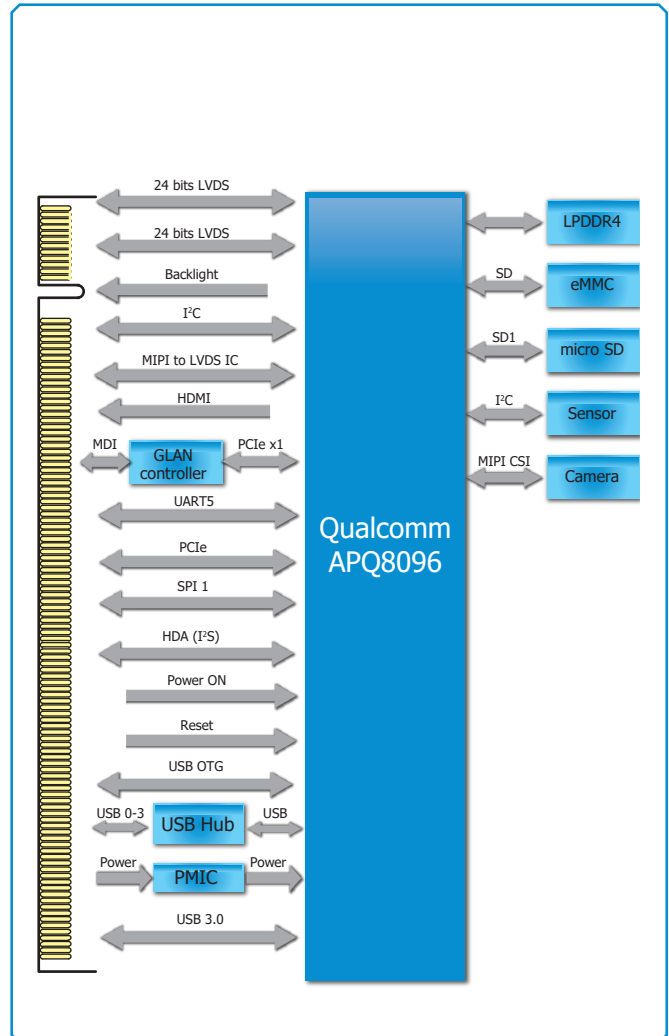
* Populated by default



Mechanical Drawing



Block Diagram



AP700

► Specifications

SYSTEM	Processor	Qualcomm® Snapdragon™ 820 Processor (APQ8096) 64-bit ARMv8-compliant Quad core applications processor (kyro)	
	Memory	3GB/6GB LPDDR4 Memory Down	
GRAPHICS	Controller	TBD	
	Display	1 x HDMI 2.0 1 x LVDS	HDMI 2.0: resolution up to 3840x2400 @ 60 Hz LVDS: 18/24-bit, dual channel, resolution up to 2560x1600 @ 60Hz
	Dual Display	LVDS + HDMI	
EXPANSION	Interface	1 x PCIe x1 1 x SATA 1 x I ² C 1 x SDIO 1 x UARTC 1 x CCI	
	Interface	HD Audio	
ETHERNET	Controller	1 x Atheros AR8151 (10/100/1000Mbps)	
I/O	USB	7 x USB 3.0 3 x USB 2.0 1 x USB OTG (Type B) interface	
	eMMC	Supports up to 16GB eMMC onboard	
	GPIO	1 x 8-bit GPIO	
	Camera	1 x MIPI-CSI	
WATCHDOG TIMER	Output & Interval	System Reset, Programmable via Software from 1 to 255 Seconds	
POWER	Type	5V, 5VSB, VCC_RTC	
	Consumption	TBD	
OS SUPPORT		TBD	
ENVIRONMENT	Temperature	Operating: 0 to 60°C	Storage: -30 to 85°C
	Humidity	Operating: 5 to 90% RH	Storage: 5 to 90% RH
	MTBF	TBD	
MECHANICAL	Dimensions	Qseven form factor	70mm (2.76") x 70mm (2.76")
	Compliance	Qseven specification revision 2.1	