

MEMXPRO 2.5" SSD RT31 Series

10K endurance , performance enhanced

Preliminary v0.5

Industrial 3D TLC
10K P/E cycle



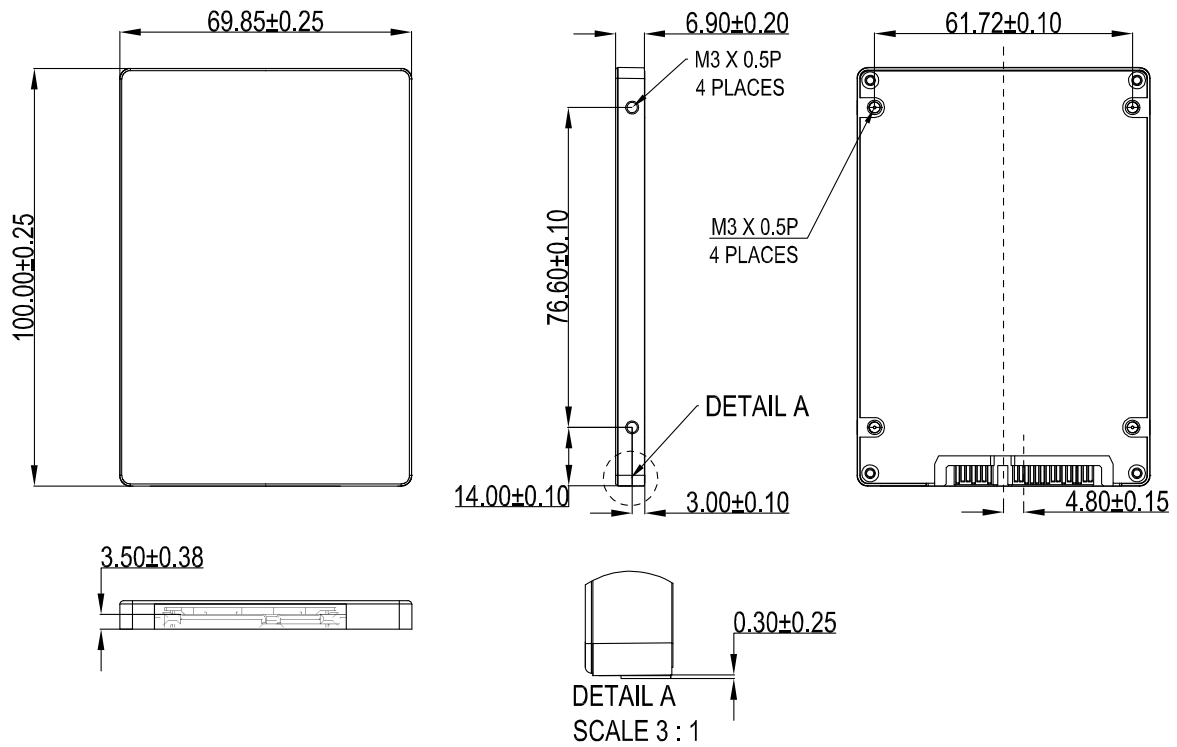
Features

- Industrial SATA III 2.5" SSD, DRAM cache
- Industrial Micron 3D TLC, up to 10K P/E Cycles
- Up to 2TB capacity
- Support commercial/extended/wide temp.
- TCG Opal 2.0 with AES 256-bit encryption
- Built-in LDPC ECC, RAID engine and OCP/OVP
- mSMART storage device monitoring

Specification

| | |
|--------------------------|--|
| Product Model | 2.5" SSD RT31 |
| Interface | SATA III |
| Form Factor | 2.5" SSD (SFF-8201) |
| Flash Type | 3D TLC (Original Micron B17A) |
| P/E Cycle | 10,000 |
| Max. Channel | 4 |
| Density | 128GB~2TB |
| Operating Temperature | 0°C~+70°C/-25°C~+85°C/-40°C~+85°C |
| Max. Power Consumption | 6W (5V x 1200mA) |
| Dimension (L x W x H/mm) | 100x69.85x7 |
| Operating Voltage | 5V±5% |
| Storage Temperature | -55°C~+95°C |
| Security* | AES 128/256 Encryption TCG Opal 2.0 compliant Built-in H/W SHA256 and TRNG |
| External DRAM Buffer | ✓ |
| Thermal Sensor | ✓ |
| DEVSLP Mode | Optional |
| Vibration | 20G (7~2KHz) |
| Shock Resistance | 1500G@0.5ms |
| MTBF | >3 million hours |

Unit: mm



Ordering Information

| Capacity | Commercial (0°C~70°C) | Extended (-25°C~+85°C) | Industrial (-40°C~+85°C) |
|----------|-----------------------|------------------------|--------------------------|
| 128GB | FRS25-A2GMTS592C1 | FRS25-A2GMTS592E1 | FRS25-A2GMTS592W1 |
| 256GB | FRS25-B5GMTS594C1 | FRS25-B5GMTS594E1 | FRS25-B5GMTS594W1 |
| 512GB | FRS25-E1GMTS594C1 | FRS25-E1GMTS594E1 | FRS25-E1GMTS594W1 |
| 1TB | FRS25-010MTS594C1 | FRS25-010MTS594E1 | FRS25-010MTS594W1 |
| 2TB | FRS25-020MTS594C1 | FRS25-020MTS594E1 | FRS25-020MTS594W1 |