

# BCO-1010U series

Basic Fanless Embedded System with Intel® Celeron® J1900 Processor, 2x COM, 2x LAN, 8x USB, 1x 2.5" SATA HDD Bay



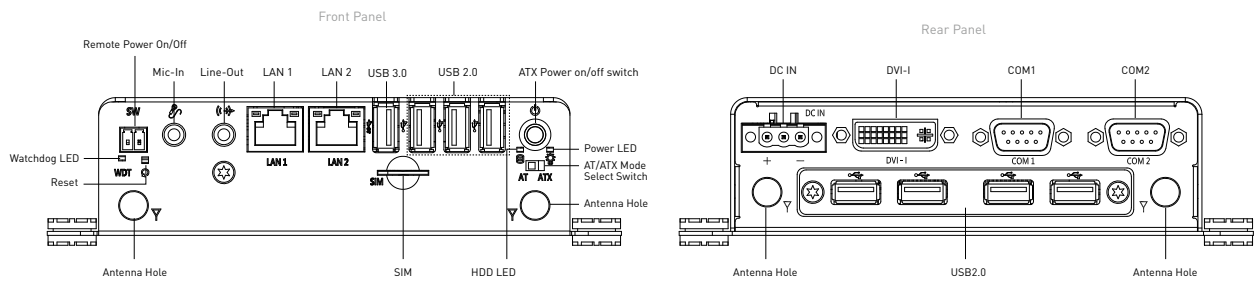
## FEATURES

- Intel® Celeron® processor J1900, up to 2.0GHz
- 1x 204-pin DDR3L SODIMM. max up to 8GB
- Dual independent display supported by 1x DVI-I
- 2x Intel® GbE supporting Wake-on-LAN and PXE
- 1x Internal 2.5" SATA HDD Bay, 1x mSATA
- 2x full-size mini PCIe for communication or expansion modules, 1x SIM socket
- 4x RS-232/422/485, 1x USB 3.0, 7x USB 2.0
- 9 to 30VDC wide range power input supporting AT/ATX mode
- -20°C to 50°C extended operating temperature

## SPECIFICATIONS

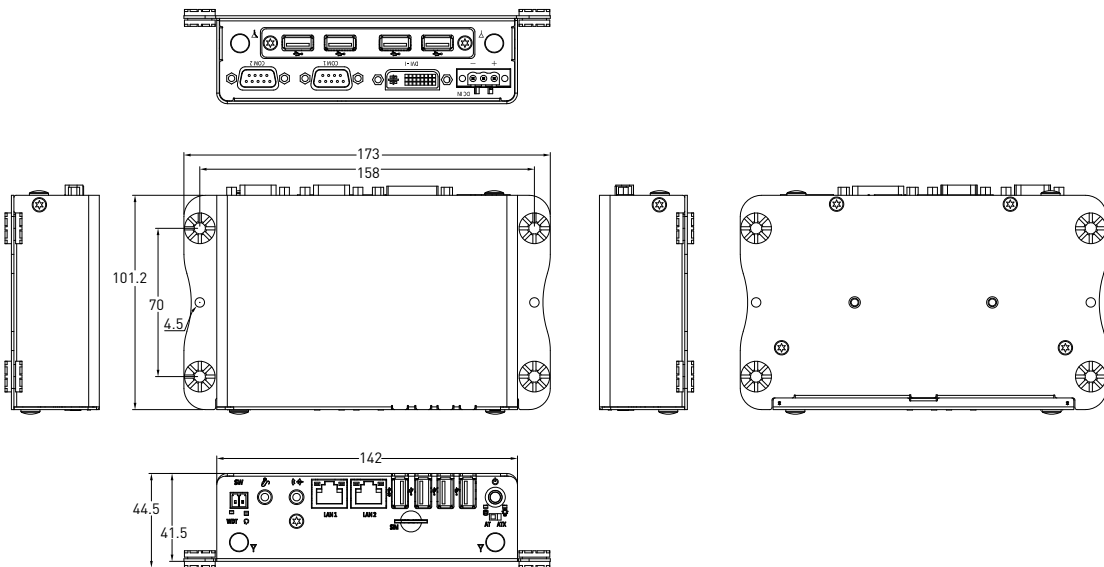
System		Operating System	
Processor	Intel® Celeron® Processor J1900, Quad Core, 2MB Cache, 2.0 GHz	Windows	Windows 10, Windows 7, WES7
System Chipset	SoC integrated	Linux	Linux kernel 3.X
LAN Chipset	GbE1 & GbE2: Intel I210-AT (Support Wake-on-LAN and PXE)	<b>Power</b>	
Audio Codec	Realtek ALC888S	Power Mode	AT, ATX
System Memory	1x 204-Pin DDR3L 1066/1333MHz SODIMM. Max. up to 8 GB	Power Supply Voltage	9~30VDC
BIOS	AMI 64Mbit SPI BIOS	Power Connector	3-pin Terminal Block
Watchdog	Software Programmable Supports 1~255 sec. System Reset	Power Adaptor	Optional AC/DC 12V/5A, 60W
TPM	TPM 2.0 (Optional)	Power Protection	OVP (Over Voltage Protection)
<b>Display</b>		<b>Environment</b>	
VGA	Yes (by optional split cable)	Operating Temp.	-20°C to 50°C
DVI	1x DVI-I	Storage Temp.	-30°C to 70°C
Multiple Display	Dual Display	Relative Humidity	10% to 95% (non-condensing)
<b>Storage</b>		Vibration	With SSD: 5 Grms, 5 - 500 Hz, 0.5 hr/axis With HDD: 1 Grms, 5 - 500 Hz, 0.5 hr/axis
SSD/HDD	1x Internal 2.5" SATA HDD Bay	Shock	With SSD: 50G, half sine, 11ms
mSATA	1x mSATA (shared by 1x Mini PCI Express)	Standards / Certification	CE, FCC Class A
SIM Socket	1x External SIM socket	<b>Physical</b>	
<b>Expansion</b>		Construction	Fanless Design
Mini PCI Express	1x Full-size Mini PCIe Socket with USIM Socket (PCIe + USB + SATA) 1x Full-size Mini PCIe Socket (PCIe + USB)	Dimension	142 (W) x 101(D) x 41.5(H) mm
<b>I/O</b>		Weight	0.21 kg
COM	2x RS-232/422/485	Mounting	Wall Mounting / DIN-Rail Mounting (Optional)
USB	1x USB 3.0, 7x USB 2.0		
LAN	2x RJ45		
Audio	1x Mic-in, 1x Line-out		
Others	4x WiFi Antenna Holes 1x Power Switch, 1x AT/ATX Switch, 1x Remote Power On/Off		

## EXTERNAL I/O MECHANICAL LAYOUT



## DIMENSION

Unit: mm



## ORDERING INFORMATION

MODEL NO.	DESCRIPTION
1-E09A06007	Adapter AC/DC 12V 5A 60W with 3pin Terminal Block Plug 5.0mm Pitch
SFICBL022	Power Cord, 3-pin US Type, 180cm
1-TPCD00002	Power Cord, European Type
1-TPCD00001	Power Cord, 3-pin UK Type, 180cm
3-DINR-0003	DIN-Rail Mount Kit

## PACKING LIST

- 1x BCO-1000 Series Embedded System
- 1x Utility DVD Driver
- 1x Accessory Kit
- 1x DVI to VGA Adapter

## AVAILABLE MODELS

MODEL NO.	DESCRIPTION
BCO-1010U-J1900	Basic Fanless Embedded System with Intel® Celeron® J1900 Processor, 2x COM, 2x LAN, 8x USB 1x 2.5" SATA HDD Bay