

MEMXPRO Half Slim SATA ET30 Series

10K P/E Cycles, Budget-Friendly, Industrial Design

Industrial 3D TLC
10K P/E cycle



Features

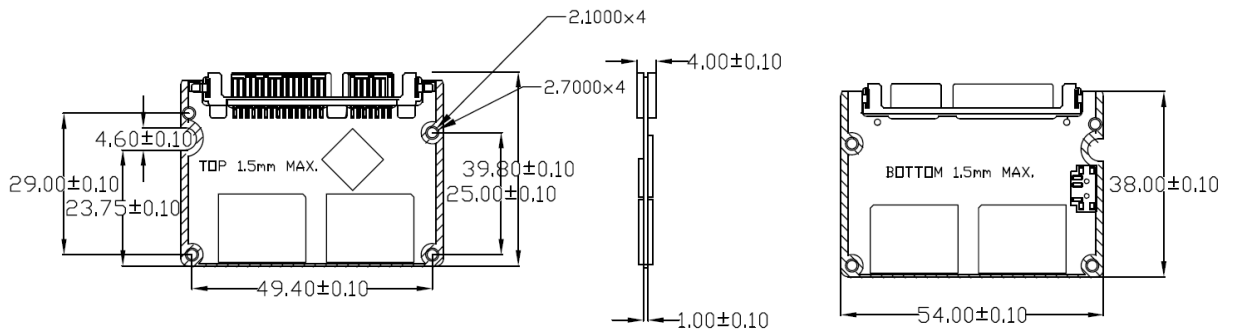
- SATA III Half Slim
- Industrial Micron B17A 3D TLC, 10K P/E Cycles
- 560/515 MB/s of Read/Write speeds
- DRAM-less, up to 1TB capacity
- Commercial/extended/wide temp. solutions
- Built-in LDPC, ECC RAID engine, and OCP/OVP
- mSMART storage device monitoring

Specification

Product Model	Half Slim SATA ET30
Interface	SATA III
Form Factor	Half Slim SATA
Controller	SMI SM2258XT
Flash Type	3D TLC (Original Micron B17A)
P/E Cycle	10,000 times
Max. Channel	4
Density	64GB~1TB
Sequential R/W (MB/sec, max.)	560/515
Operating Temperature	0°C~+70°C/-25°C~+85°C/-40°C~+85°C
Max. Power Consumption	2W (5V x 400mA)
Dimension (L x W x H/mm)	39.8x54x4
Operating Voltage	5V±5%
Storage Temperature	-55°C~+95°C
External DRAM Buffer	N/A
Thermal Sensor	✓
DEVSLP Mode	<5mW
Vibration	20G (7~2KHz)
Shock Resistance	1500G@0.5ms
MTBF	>3 million hours

Dimensions

Unit: mm



Total Bytes Written & Ordering Information

Capacity	TBW*	Commercial (0°C~70°C)	Extended (-25°C~85°C)	Industrial (-40°C~+85°C)
64GB	340TB	FEHSS-64GMTS5J1C1	FEHSS-64GMTS5J1E1	FEHSS-64GMTS5J1W1
128GB	687TB	FEHSS-A2GMTS5J2C1	FEHSS-A2GMTS5J2E1	FEHSS-A2GMTS5J2W1
256GB	1,375TB	FEHSS-B5GMTS5J4C1	FEHSS--B5GMTS5J4E1	FEHSS-B5GMTS5J4W1
512GB	2,750TB	FEHSS-E1GMTS5J4C1	FEHSS-E1GMTS5J4E1	FEHSS-E1GMTS5J4W1
1TB	5,506TB	FEHSS-010MTS5J4C1	FEHSS-010MTS5J4E1	FEHSS-010MTS5J4W1

Note:* TBW calculation is tested upon JEDEC JESD218A & 219A standards.