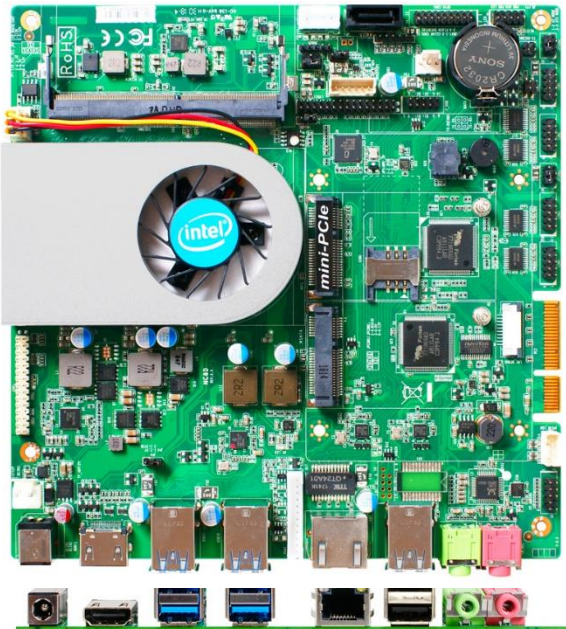
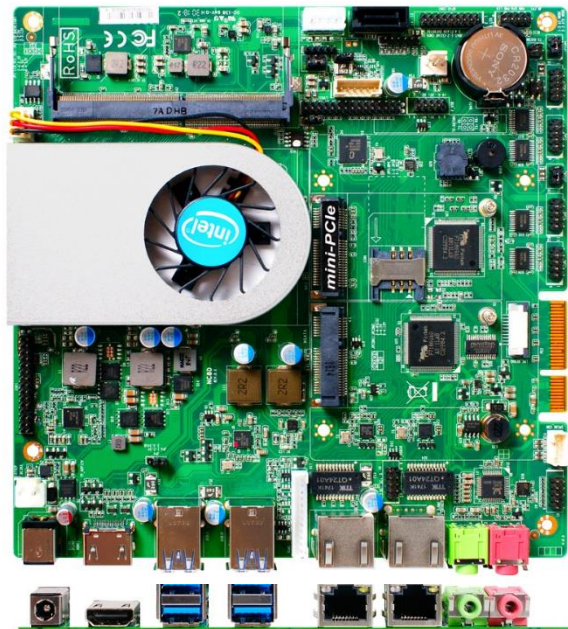


JNC8D-I3855 Series

Intel® Skylake-U 3855U SOC , DDR4 up to 16GB, 12V DC-in



JNC8D-I3855



JNC8D-I3855-2L

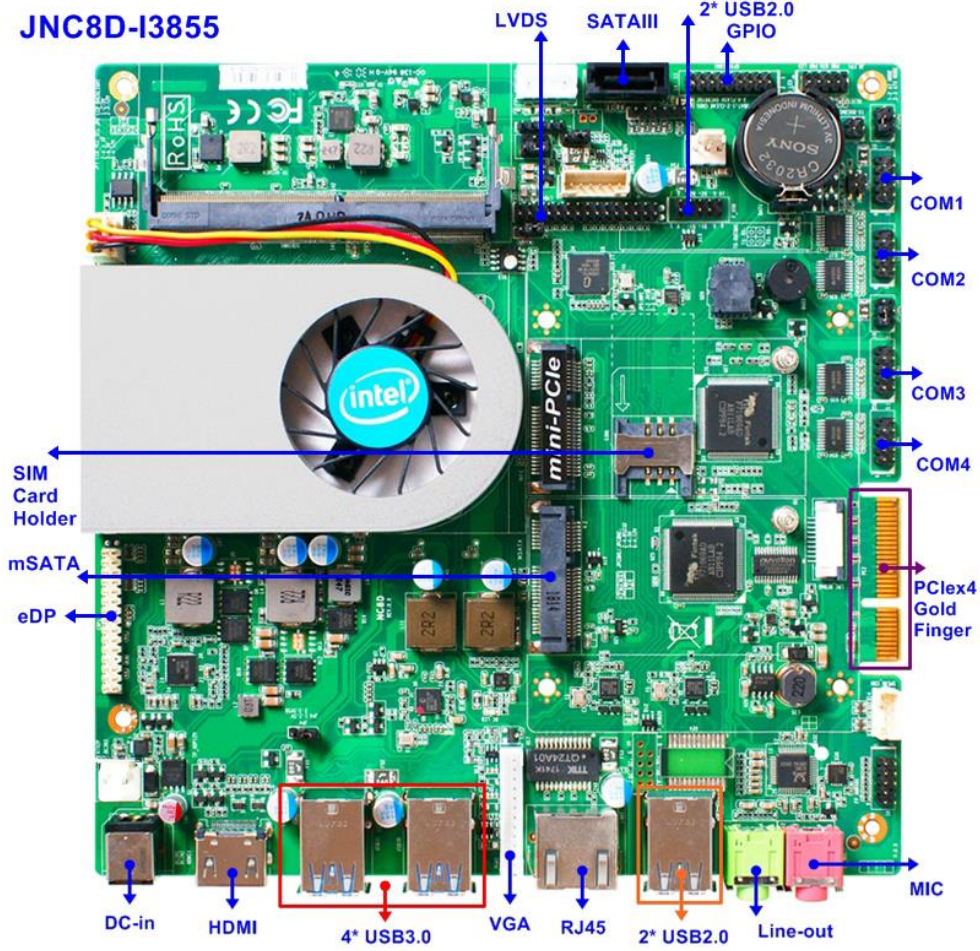


Features

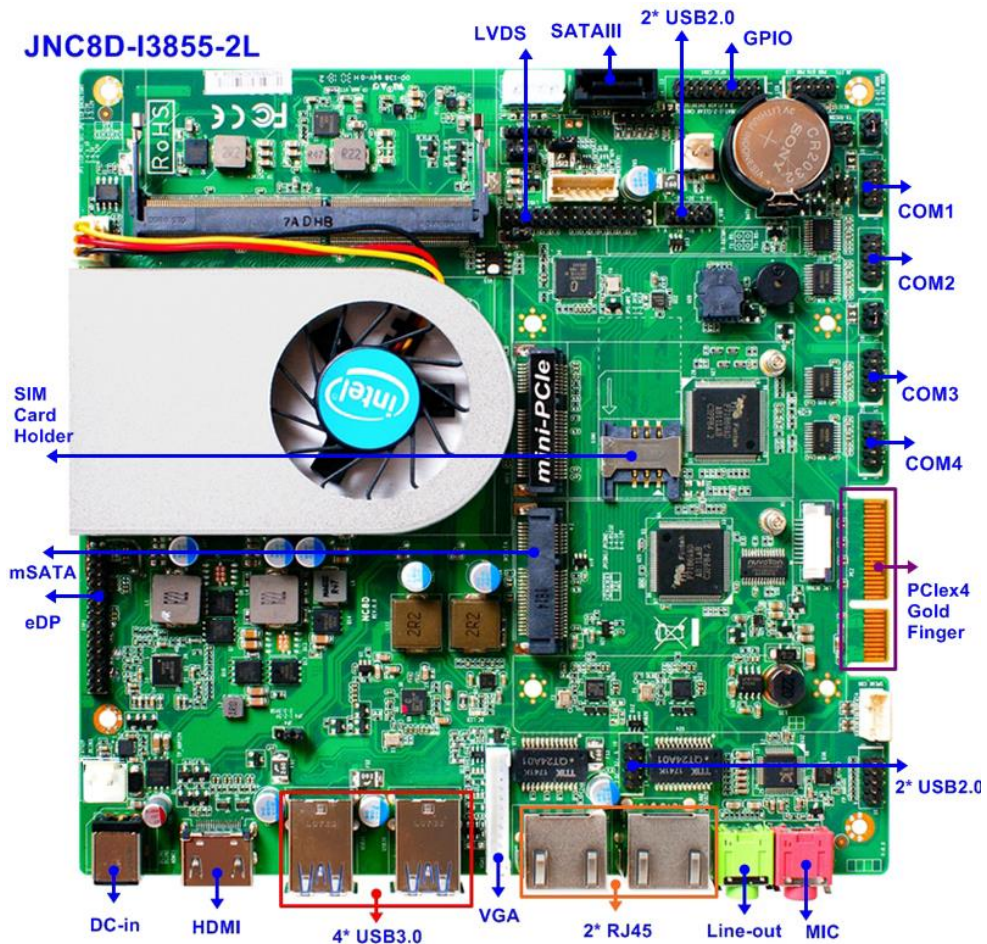
1. Intel® Skylake-U 3855U SOC (CO-LAY i3/i5/i7 Series)
2. Onboard INTEL® 3855U 1.6GHz Dual Cores CPU
3. Support 1* DDR4/2133 SO-DIMM Max 16GB
4. Support 1* PCIe x4 Gold finger
5. 4* USB3.0, 4* RS232 (COM1/2 Support 5V/12V), 1* SIM Card holder
6. Support HDMI+eDP+LVDS or CRT+eDP+LVDS Display
7. 12V DC on board
8. Thin Mini ITX Form Factor (170mm x170mm)

Internal Diagram

JNC8D-I3855



JNC8D-I3855-2L



Specifications

Model	JNC8D-I3855	JNC8D-I3855-2L
Form Factor		
Dimensions	- ITX(170 x 170mm)	
Processor System		
CPU	- Intel® Skylake-U 3855U	
Core Number	- 2	
Max Speed	- 1.6GHz	
L3 Cache	- 2MB	
Chipset	- SOC	
BIOS	- AMI 128M Flash ROM	
Expansion Slot		
PCI	- 0	
Mini-PCI-e	- 1 (full size)	
m-SATA	- 1 (full size)	
PCI-e Gold finger	- 1 (PCI-E x4)	
M.2	- 0	
CF Card Socket	- 0	
SIM Card Holder	- 1	
Memory		
Technology	- DDR4 2133MHz DRAM	
Max.	- 16GB	
Socket	- 1 *SO-DIMM	
Graphics		
Controller	- Intel® HD Graphics 510	
VRAM	- Shared Memory	
VGA	- 1 (CO-LAY HDMI)	
LVDS	- 1 (Max Resolution: 2560 x 1600@60Hz)	
eDP 1.3	- 1 (Max Resolution: 4096x2304@60Hz)	
HDMI 1.4	- 1 (Max Resolution : 4096x2304@24Hz)	
DVI-D	- 0	
Display Port	- 0	
Multi Display	- 2 Displays	
Ethernet		
Ethernet	- 10/100/1000 Mbps	
Controller	- 1* REALTEK® RTL8111G GbE	- 2* REALTEK® RTL8111G GbE
Connector	- 1 * RJ 45	- 2 * RJ 45

Audio		
CODEC	- HD Audio : REALTEK® ALC662	
Channel	- FP_AUDIO, 3W Amplifier Speaker out	
SATA		
Max Data Transfer Rate	- 1 * SATAIII (6.0Gb/s, Support Slim hard drive design)	
Rear I/O		
VGA	- 0	
DVI-D	- 0	
HDMI	- 1 (CO-LAY VGA Header)	
Display Port	- 0	
Ethernet	- 1	- 2
USB	- 4* USB 3.0 - 2* USB2.0	- 4* USB 3.0
Audio	- 2(Line-out + MIC)	
Serial / Parallel	- 0	
PS/2	- 0	
DC-input	- 1 (12V DC-IN)	
Internal Connector		
USB	- 2 * USB 2.0	- 4 * USB 2.0
PS/2	- 1	
LVDS / inverter	- 1	
eDP	- 1	
VGA	- 1 (CO-LAY HDMI port)	
Serial	- 4 (COM1/2 Support 5V/12V TTL)	
SATA	- 1* SATAIII (6.0Gb/s)	
mPCIe	- 1 (full size)	
Parallel	- 0	
m-SATA	- 1 (full size)	
M.2	- 0	
GPIO	- 16bit (5V)	
Chassis intrusion	- 0	
Audio Header	- 1	
SMBUS/ I2C	- 1	
AT mode	- 0	
TPM Header	- 0	
Others	- 1* PCI-Ex4 Gold finger	
Watchdog Timer		
Output	- From Super I/O to drag RESETCON#	

Interval	- 256 segments (0 ~ 255sec)
Power Requirements	
Input PWR	- 12V DC-in
Power On	AT/ATX Supported - AT : Directly PWR on as Power input ready - ATX: Press Button to PWR on after Power input ready
Certifications	
Certifications	- CE, FCC, RoHS, REACH
Environment	
Temperature	- Operating: -10°C ~ 60°C
	- Storage: -20°C ~ 70°C
Warranty	
Warranty	- 2 Years Limited Warranty
Packing	
Packing	- Net Weight: - Gross Weight: - Color Box dimension: 200*220*70mm

*Specifications subject to change without notice, not responsible for typographical errors. Does not include HDD or OS.

Accessories

Part Number	Description
-----	JNC8D-I3855 / JNC8D-I3855-2L
F04-MB-077-F	I/O Shield
G01-COM-H2M22-1F	CABLE for COM
G01-SATA3-BL-1F	CABLE for SATA3 50cm