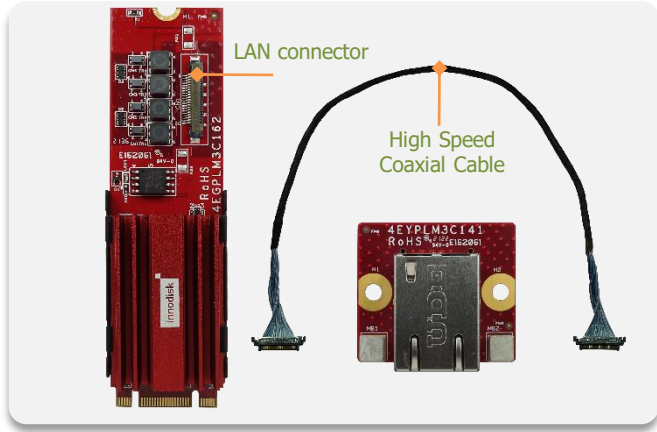


EGPL-T101

M.2 2280 to single 10GbE LAN Module

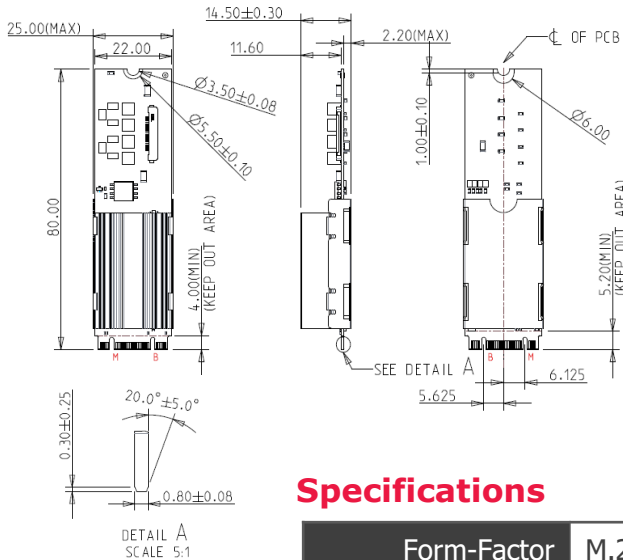


Features

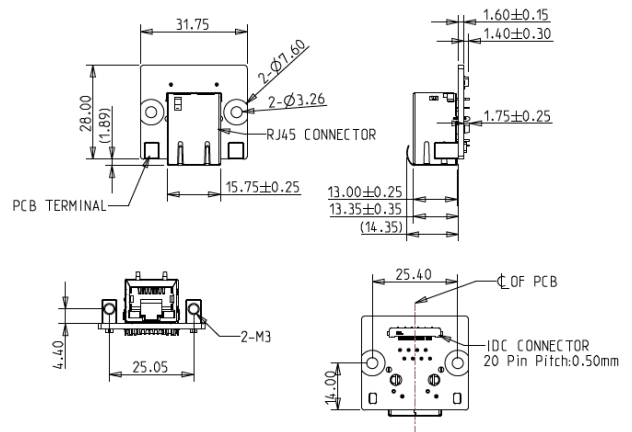
- Marvell AQtion Ethernet Controller
- Support 10G/5G/2.5G/1000M/100M/10M LAN speed
- Lowest power and smallest 10GbE expansion solution
- Support x2/x1 PCI Express with Gen3/Gen2
- Tiny daughter board with high speed shielding cable
- Complies with EN61000-4-2 (ESD) Air-15kV, Contact-8kV
- Operation temperature 0°C to +55°C support
- 30μ" golden finger, 3-year warranty
- Industrial design, manufactured in Innodisk Taiwan

Mechanical Drawing

Main Board



Daughter Board



Specifications

Form-Factor	M.2 2280
Input I/F	PCI Express 3.0 x 2
Output I/F	Single 10 GbE LAN
Output Connector	RJ45 x 1
TDP	MAX: --W (3.3V, --mA)
Dimension (WxLxH)	22 x 80 x 9 mm
Temperature	Operation: 0°C ~ +55°C Storage: -55°C ~ +95°C
Environment	Vibration: 5G @7~2000Hz, Shock: 50G @ 0.5ms
Notes	Please download driver from MyInnodisk website. Supported Operation System: Microsoft Windows System 7 and later releases Linux Kernel 3.10 and later releases

Headquarters (Taiwan)

5F., No.237, Sec. 1, Datong Rd.,
Xizhi Dist., New Taipei City 221,
Taiwan

Tel: +886-2-7703-3000
Email: sales@innodisk.com

Branch Offices:

USA

usasales@innodisk.com
+1-510-770-9421

Europe

eusales@innodisk.com
+31-40-3045-400

Japan

jpsales@innodisk.com
+81-3-6667-0161

China

sales_cn@innodisk.com
+86-755-21673689

www.innodisk.com

© 2021 Innodisk Corporation.
All right reserved. Specifications
are subject to change without
prior notice.

November 15, 2021

Order information

EGPL-T101-C1

M.2 2280 to Single 10GbE LAN Module