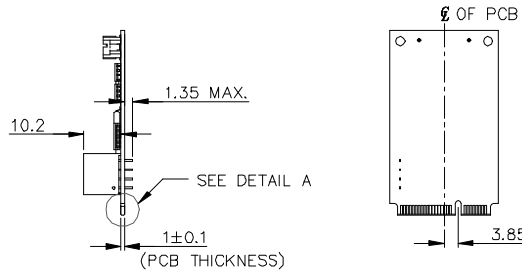
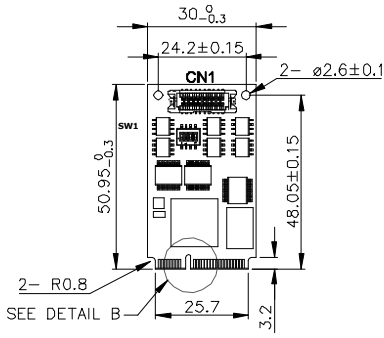


### Features

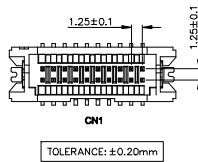
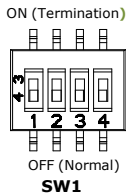
- PCI-Express specification Rev. 2.0 compliant
- 4800 to 3Mbps serial data rate. 16C550 compatible. 256-byte FIFOs
- Supports port-to-computer isolation, complies with IEC 60950-1:2005 + A1: 2009 + A2:2013 2.5kV HiPOT protection
- Complies with EN61000-4-2 (ESD) Air-15kV, Contact-8kV
- Termination Resistor by dip switch setting
- Industrial temperature(-40 °C to 85 °C) operation
- 30μ " golden finger, 3 years warranty

### Mechanical Drawing



Pin Assignment

RS-485/RS-422 Full duplex	Pin	RS-485 Half duplex
	1	
TX+	2	D+
RX+	3	
	4	
GND	5	GND
	6	
RX-	7	
TX-	8	D-
	9	



### Specifications

**Headquarters (Taiwan)**  
5F., No.237, Sec. 1, Datong Rd., Xizhi Dist., New Taipei City 221, Taiwan

Tel: +886-2-7703-3000  
Email: sales@innodisk.com

**Branch Offices:**

**USA**  
usasales@innodisk.com  
+1-510-770-9421

**Europe**  
eusales@innodisk.com  
+31-040-282-1818

**Japan**  
jpsales@innodisk.com  
+81-3-6667-0161

**China**  
sales\_cn@innodisk.com  
+86-755-21673689

[www.innodisk.com](http://www.innodisk.com)

© 2015 Innodisk Corporation. All right reserved. Specifications are subject to change without prior notice.

December 24, 2019

Form-Factor	mPCIe
Input I/F	PCI Express 2.0
Output I/F	RS-422 x 2, RS-485 x 2
Output Connector	DB-9 x 4
TDP	0.58W (3.3V x 175mA)
Dimension (WxLxH)	30 x 50.9 x 12.55mm
Temperature	Operation: W/T: -40°C ~ +85°C Storage: -55°C ~ +95°C
Environment	Vibration: 5G @7~2000Hz, Shock: 50G @ 0.5ms
Notes	Please download driver from MyInnodisk website. Windows: XP(32 bit), 7(32/64 bit), 8/8.1(32/64 bit), 10, WES7, CE7.0 Linux: Kernel 2.6.x and above.(We can provide Linux source for modification.)

### Order information

**EMP2-X4S2-W1(Wide Temp.)**  
mPCIe to two Isolated RS-422 & RS-485 Module