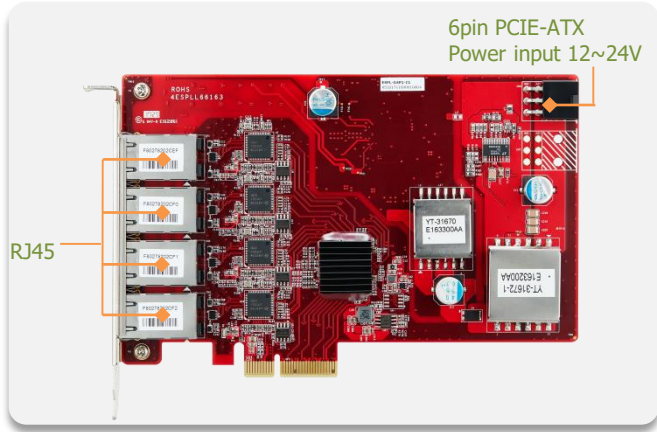


# ESPL-G4P1

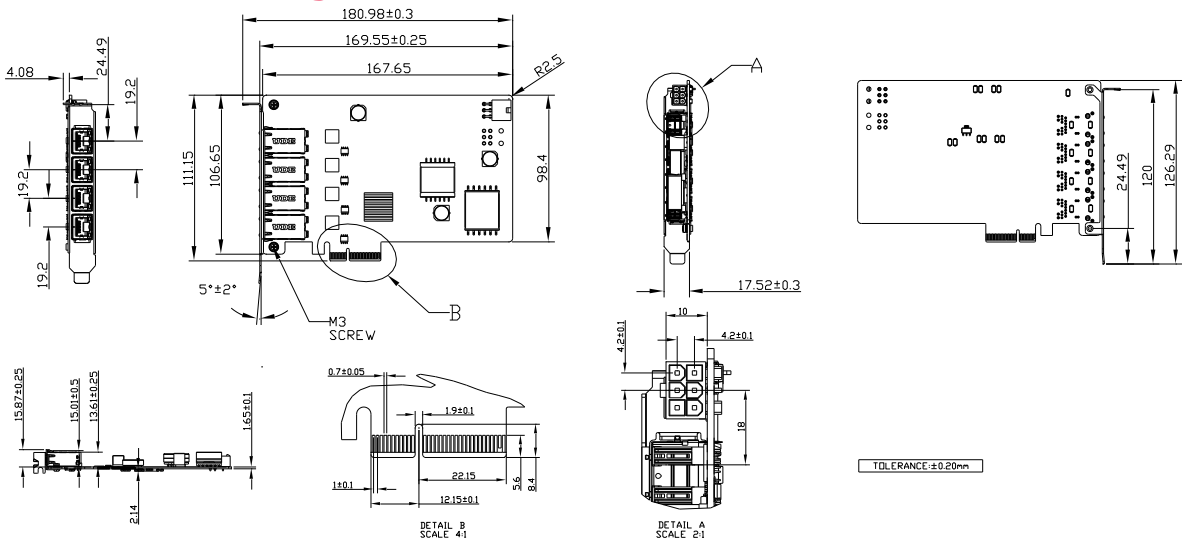
## PCIe to four isolated PoE/PoE+ Module



### Features

- Supports four isolated GbE LAN ports
- Four independent PSE channels
- Complies with IEEE 802.3af, up to 15.4W at 48V per PoE port
- Complies with IEEE 802.3at, up to 25.5W at 54V per PoE port
- Supports 12V~24V power input via 6pin PCIe-ATX
- Supplies total power up to 75W
- Complies with EN61000-4-5 2kV Surge protection
- 30μ golden finger, 3 years warranty.

### Mechanical Drawing



### Specifications

Form-Factor	Standard PCIe
Input I/F	PCI Express 2.1 x 4
Output I/F	PoE/PoE+ x 4
Output Connector	RJ45 x 4
TDP	75W
Dimension (WxLxH)	169.55 x 111.15 x 19.6 mm
Temperature	Operation: STD: 0°C ~ +70°C W/T: -40°C ~ +85°C Storage: -55°C ~ +95°C
Environment	Vibration: 5G @7~2000Hz, Shock: 50G @ 0.5ms
Notes	Please download driver from MyInnodisk website. Windows: XP(32bit), 7(32/64bit), 8/8.1(32/64 bit), 10(32/64bit) Linux: kernel 2.4 series, 2.6.x and 3.x version.
Limitations	ESPL-G4P1 series does not recommend used in VMware ESXi due to High Latency

### Order Information

**ESPL-G4P1-C1 (Standard Temp.)**  
**ESPL-G4P1-W1 (Wide Temp.)**  
 PCIe to four isolated PoE/PoE+ Module

**Headquarters (Taiwan)**  
 5F., No. 237, Sec. 1, Datong Rd.,  
 Xizhi Dist., New Taipei City 221,  
 Taiwan  
 Tel: +886-2-77033000  
 Email: sales@innodisk.com

**Branch Offices:**

**USA**  
[usasales@innodisk.com](mailto:usasales@innodisk.com)  
 +1-510-770-9421

**Europe**  
[eusales@innodisk.com](mailto:eusales@innodisk.com)  
 +31-40-3045-400

**Japan**  
[jpsales@innodisk.com](mailto:jpsales@innodisk.com)  
 +81-3-6667-0161

**China**  
[sales\\_cn@innodisk.com](mailto:sales_cn@innodisk.com)  
 +86-755-21673689

[www.innodisk.com](http://www.innodisk.com)

© 2021 Innodisk Corporation.  
 All right reserved. Specifications  
 are subject to change without  
 prior notice.

March 9, 2021