

# SmartMore Area Scan Camera Series (GigE Series)

## Product Description

- Gigabit Ethernet interface, providing 1Gbps bandwidth with a maximum transmission distance of 100m;
- 256MB on-board cache for data transmission or image resend;
- Support Software Trigger/Hardware Trigger/Free Run Mode;
- Support ISP functions including Sharpness/Denoising/Gamma/LUT/Black Level Correction/Target Brightness/Contrast etc;
- Color cameras support interpolation, white balance, color conversion matrix, chroma, saturation, etc;
- Support multiple image data formats output/ROI/Mirror, etc.
- Conform to GigE Vision V2.0 protocol and GenICam standard;
- Support PoE power supply, DC 9V~24V wide voltage power supply;
- Conform to CE, FCC, RoHS.



## Specification

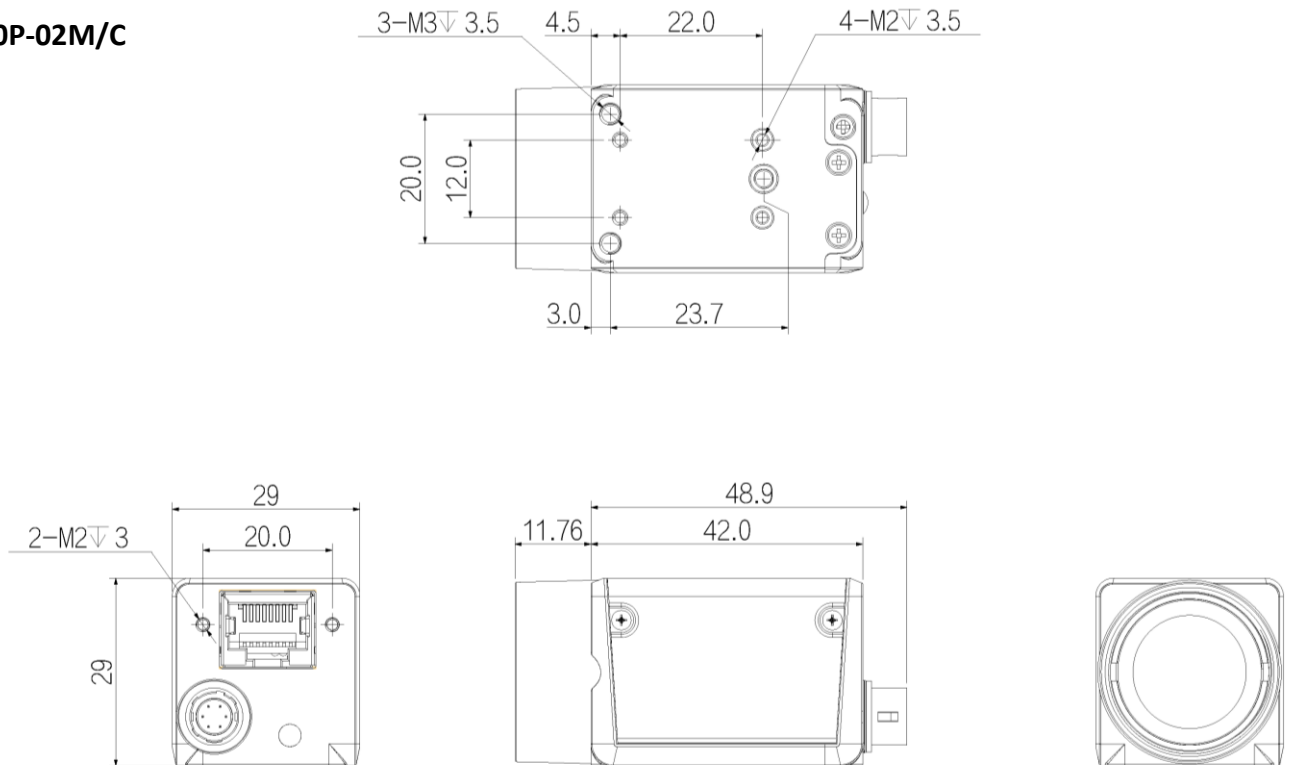
Model	Resolution	Frame rate (FPS)	Bit depth (bit)	Sensor						Dimension (mm <sup>3</sup> )	Lens mount
				Model	Type	Pixel size(μm <sup>2</sup> )	Sensor size	Shutter	Color		
SMI-CGi-600P-02M/C	800*600	120	10	PYTHON480	CMOS	4.8*4.8	1/3.6"	Global	M/C	29*29*42	C
SMI-CGi-960P-01M/C	1280*960	30	14	RJ33J4/3CA0DT	CCD	3.75*3.75	1/3"	Global	M/C	29*29*42	C
SMI-CGi-1024P-02M/C	1280*1024	60	10	PYTHON 1300	CMOS	4.8*4.8	1/2"	Global	M/C	29*29*42	C
SMI-CGi-1024P-03M/C	1280*1024	86.5	10	SS	CMOS	4.0*4.0	1/2.7"	Global	M/C	29*29*42	C
SMI-CGi-1024P-04M	1280*1024	80	12	-	CMOS	4.8*4.8	1/2"	Global	M	29*29*42	C
SMI-CGi-1080P-01M	1920*1080	22	10	IMX290	CMOS	2.9*2.9	1/2.8"	Rolling	M	29*29*42	C
SMI-CGi-1080P-02C	1920*1080	22	10	IMX290	CMOS	2.9*2.9	1/2.8"	Rolling	C	29*29*42	C
SMI-CGi-1944P-01M	2592*1944	14	10	MT9P031	CMOS	2.2*2.2	1/2.5"	Rolling	M	29*29*42	C
SMI-CGi-2048P-06M/C	3072*2048	18	12	IMX178	CMOS	2.4*2.4	1/1.8"	Rolling	M/C	29*29*42	C
SMI-CGi-2748P-01M	3840*2748	10	12	MT9J003	CMOS	1.67*1.67	1/2.3"	Rolling	M	29*29*42	C
SMI-CGi-3000P-01M/C	4000*3000	9	12	IMX226	CMOS	1.85*1.85	1/1.7"	Rolling	M/C	29*29*42	C
SMI-CGi-3648P-01M/C	5472*3648	5.8	10	IMX183	CMOS	2.4*2.4	1"	Rolling	M/C	29*29*42	C

SMI-CGi-480P-01M/C	640*480	300	10	PYTHON300	CMOS	4.8*4.8	1/4"	Global	M/C	29*29*42	C
SMI-CGi-600P-03M/C	800*600	200	10	PYTHON500	CMOS	4.8*4.8	1/3.6"	Global	M/C	29*29*42	C
SMI-CGi-1024P-05M/C	1280*1024	90	10	PYTHON1300	CMOS	4.8*4.8	1/2"	Global	M/C	29*29*42	C
SMI-CGi-1240P-01M/C	1624*1240	56	10	IMX430	CMOS	4.5 x 4.5	1/1.7"	Global	M/C	29X29X42	C
SMI-CGi-1200P-01M/C	1920*1200	50	10	PYTHON2000	CMOS	4.8x4.8	2/3"	Global	M/C	29x29x42	C
SMI-CGi-2048P-07M/C	2592*2048	20	10	PYTHON5000	CMOS	4.8x4.8	1"	Global	M/C	29x29x42	C
SMI-CGi-2160P-01M	4200*2160	13	12	GMAX2509	CMOS	2.5x2.5	2/3"	Global	M	29x44x58	C
SMI-CGi-5120P-01M/C	5120*5120	4	12	GMAX0505	CMOS	2.5x2.5	1.1"	Global	M/C	29x44x58	C
SMI-CGi-540P-01M/C	720*540	300	12	IMX287	CMOS	6.9*6.9	1/2.9"	Global	M/C	29*29*42	C
SMI-CGi-1080P-03M/C	1440*1080	77	12	IMX273	CMOS	3.45*3.45	1/2.9"	Global	M/C	29*29*42	C
SMI-CGi-1100P-01M/C	1604*1100	66	12	IMX432	CMOS	9.0*9.0	1.1"	Global	M/C	29*44*58	C
SMI-CGi-1200P-02M/C	1920*1200	38.7	12	IMX249	CMOS	5.86*5.86	1/1.2"	Global	M/C	29*29*42	C
SMI-CGi-1536P-01M/C	2048*1536	36	12	IMX265	CMOS	3.45*3.45	1/1.8"	Global	M/C	29*29*42	C
SMI-CGi-2048P-08M/C	2448*2048	23	12	IMX264	CMOS	3.45*3.45	2/3"	Global	M/C	29*29*42	C
SMI-CGi-2048P-09P	2448*2048	24	12	IMX250MZR	CMOS	3.45*3.45	2/3"	Global	P	29*29*42	C
SMI-CGi-2048P-10M/C	2592*2048	21	12	XGS5000	CMOS	3.2*3.2	2/3"	Global	M/C	29*29*42	C
SMI-CGi-2200P-01M/C	3208*2200	17	12	IMX428	CMOS	4.5*4.5	1.1"	Global	M/C	29*44*58	C
SMI-CGi-2160P-02M	4096*2160	13	12	XGS8000	CMOS	3.2*3.2	1/1.1"	Global	M	29*29*42	C
SMI-CGi-2160P-03M/C	4096*2160	13	12	IMX267	CMOS	3.45*3.45	1"	Global	M/C	29*44*58	C
SMI-CGi-3000P-02M/C	4096*3000	9	12	IMX304	CMOS	3.45*3.45	1.1"	Global	M/C	29*44*58	
SMI-CGi-3072P-01M	4096*3072	9	12	XGS12000	CMOS	3.2*3.2	1"	Global	M	29*29*42	
SMI-CGi-3072P-02M/C	4096*3072	9	12	XGS12000	CMOS	3.2*3.2	1"	Global	M/C	29*44*58	
SMI-CGi-1024P-06M/C	1280*1024	86.5	10	SS	CMOS	4.0*4.0	1/2.7"	Global	M/C	29*29*42	C
SMI-CGi-2048P-11M/C	2448*2048	23	12	IMX264	CMOS	3.45*3.45	2/3"	Global	M/C	29*29*42	C
SMI-CGi-2048P-12M/C	3072*2048	18	12	IMX178	CMOS	2.4*2.4	1/1.8"	Rolling	M/C	29*29*42	C
SMI-CGi-3000P-03M/C	4000*3000	9	12	IMX226	CMOS	1.85*1.85	1/1.7"	Rolling	M/C	29x29*42	C
SMI-CGi-3648P-02M/C	5472*3648	5.8	10	IMX183	CMOS	2.4*2.4	1"	Rolling	M/C	29*29*42	C
SMI-CGi-480P-02M/C	640*480	300	10	PYTHON300	CMOS	4.8*4.8	1/4"	Global	M/C	29*29*42	C
SMI-CGi-540P-02M/C	720*540	300	12	IMX287	CMOS	6.9*6.9	1/2.9"	Global	M/C	29*29*42	C
SMI-CGi-1024P-07M/C	1280*1024	86.5	10	SS	CMOS	4.0*4.0	1/2.7"	Global	M/C	29*29*42	C

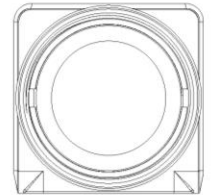
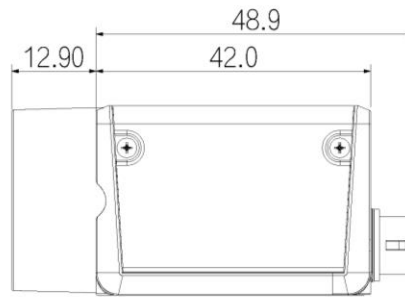
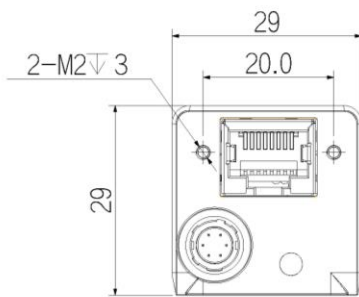
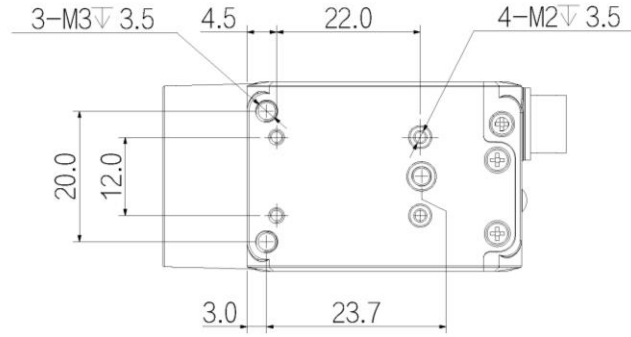
SMI-CGi-1024P-08M/C	1280*1024	90	10	PYTHON1300	CMOS	4.8*4.8	1/2"	Global	M/C	29*29*42	C
SMI-CGi-1200P-03M/C	1920*1200	50	12	XGS2000	CMOS	3.2*3.2	1/2.2"	Global	M/C	29*29*42	C
SMI-CGi-1200P-04M/C	1920*1200	38.7	12	IMX249	CMOS	5.86*5.86	1/1.2"	Global	M/C	29*29*42	C
SMI-CGi-1200P-05M/C	1920*1200	50	10	PYTHON2000	CMOS	4.8*4.8	2/3"	Global	M/C	29*29*42	C
SMI-CGi-1944P-03M/C	2592*1944	23	12	AR0521	CMOS	2.2*2.2	1/2.5"	Rolling	M/C	29*29*42	C
SMI-CGi-2048P-13M/C	2592*2048	21	12	XGS5000	CMOS	3.2*3.2	2/3"	Global	M/C	29*29*42	C
SMI-CGi-2048P-14M/C	3072*2048	18	12	IMX178	CMOS	2.4*2.4	1/1.8"	Rolling	M/C	29*29*42	C
SMI-CGi-2748P-02M/C	3840*2748	10	12	MT9J003	CMOS	1.67*1.67	1/2.3"	Rolling	M/C	29*29*42	C
SMI-CGi-3000P-04M/C	4000*3000	9	12	IMX226	CMOS	1.85*1.85	1/1.7"	Rolling	M/C	29*29*42	C
SMI-CGi-2048P-15M/C	2448*2048	23	12	IMX264	CMOS	3.45*3.45	2/3"	Global	M/C	29*29*42	C
SMI-CGi-3648P-03M/C	5472*3648	5.8	10	IMX183	CMOS	2.4*2.4	1"	Rolling	M/C	29*29*42	C

## Dimension

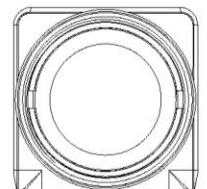
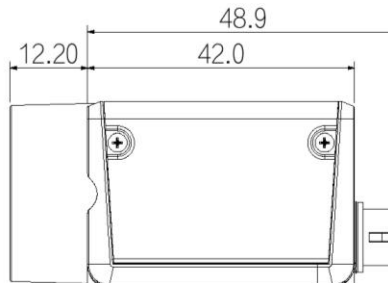
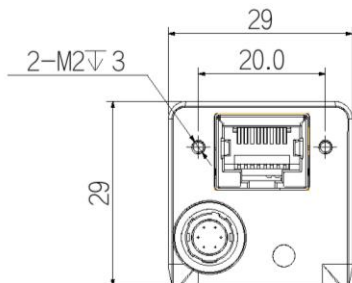
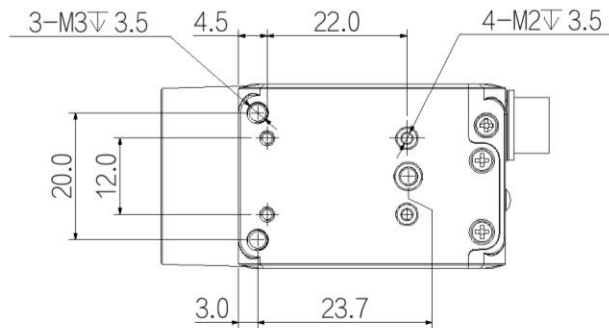
### SMI-CGi-600P-02M/C



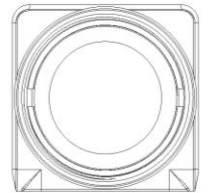
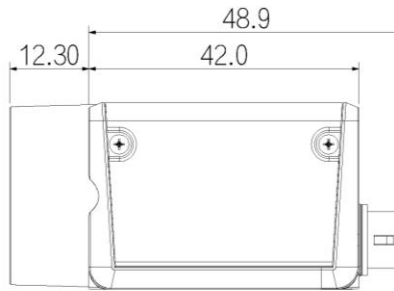
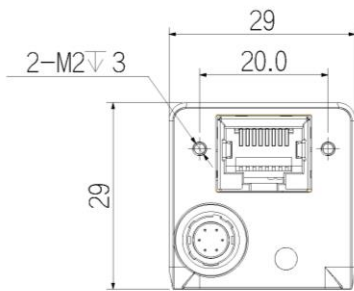
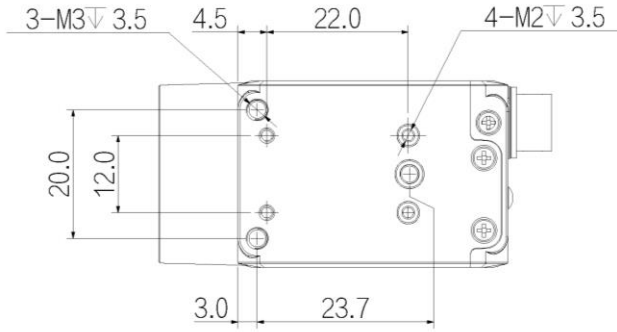
**SMI-CGi-960P-01M/C**  
**SMI-CGi-1024P-02M/C**  
**SMI-CGi-480P-01M/C**  
**SMI-CGi-600P-03M/C**  
**SMI-CGi-1024P-05M/C**  
**SMI-CGi-1200P-01M/C**  
**SMI-CGi-2048P-07M/C**  
**SMI-CGi-2048P-10M/C**



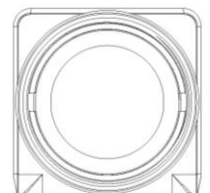
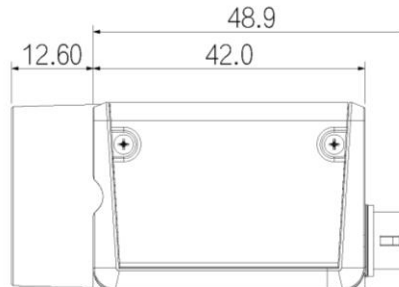
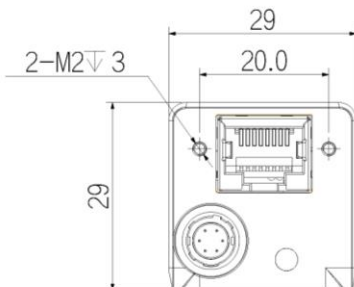
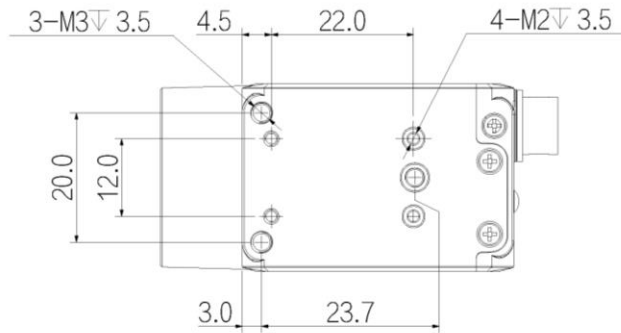
**SMI-CGi-1024P-03M/C**  
**SMI-CGi-1024P-04M/C**



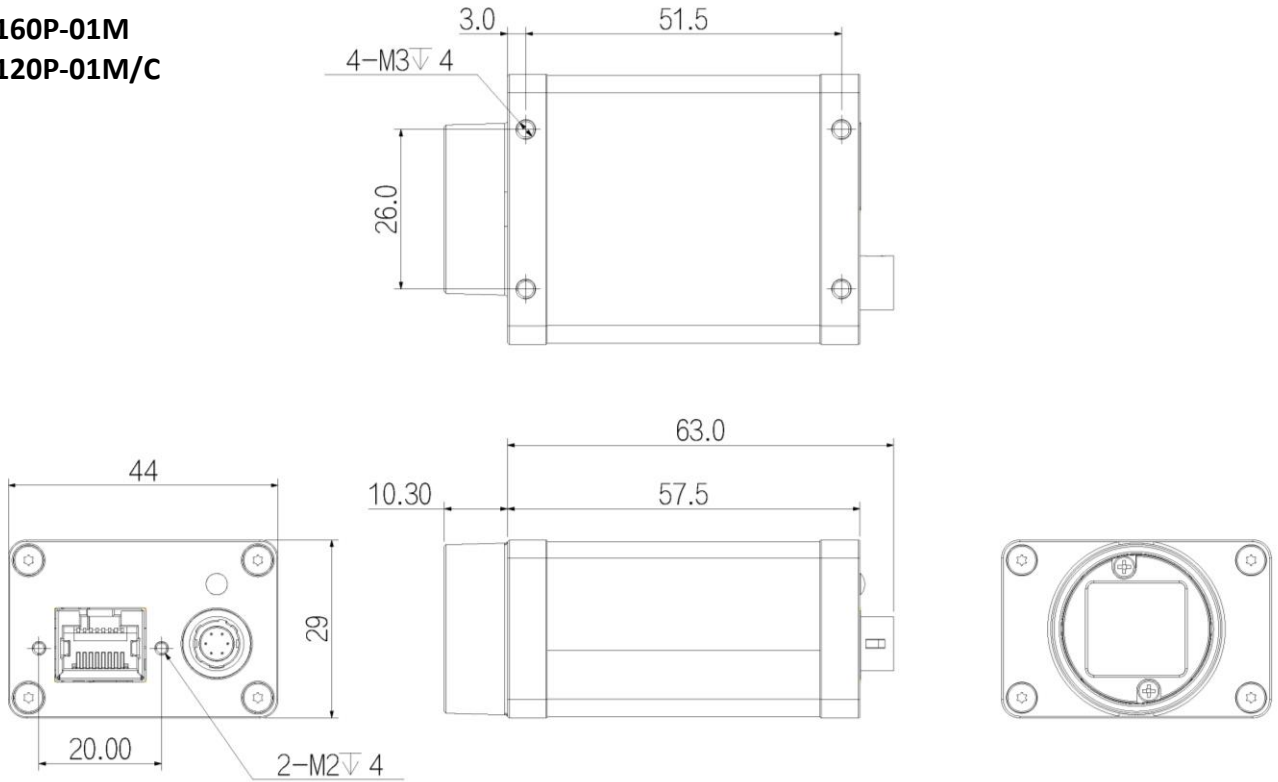
**SMI-CGi-1080P-01M**  
**SMI-CGi-1080P-02C**  
**SMI-CGi-1944P-01M**  
**SMI-CGi-2748P-01M**



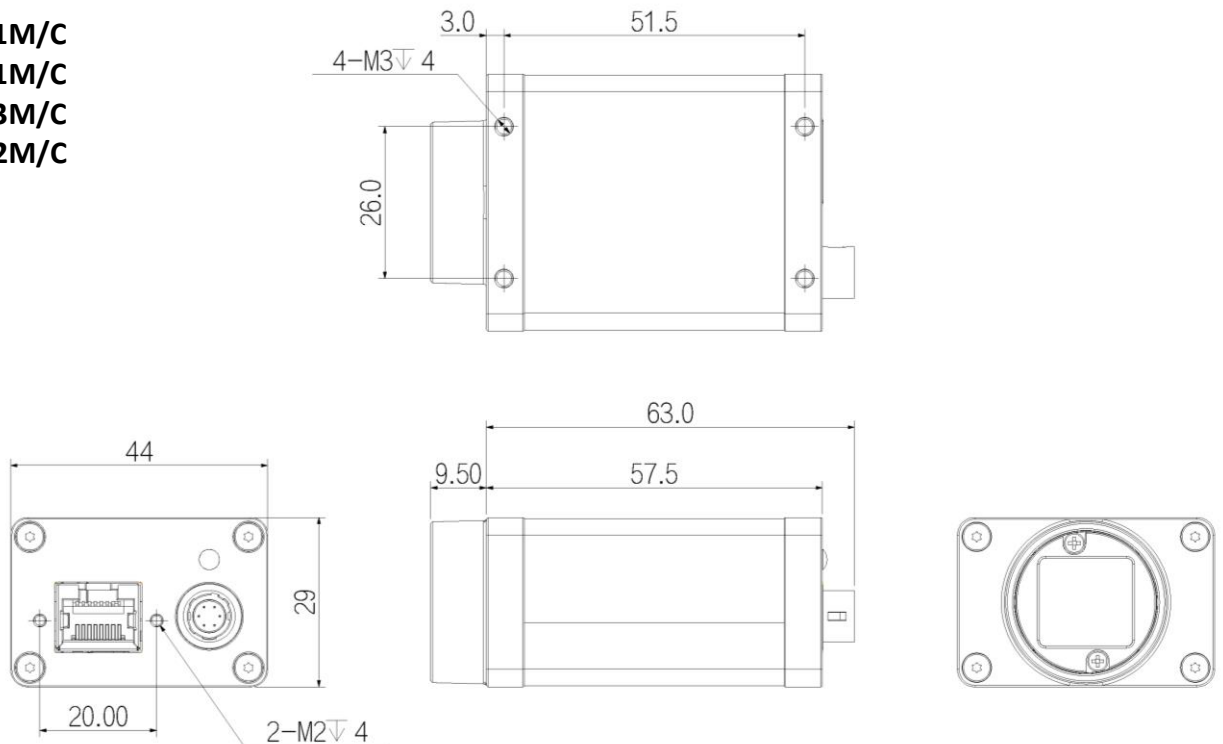
**SMI-CGi-2048P-06M/C**  
**SMI-CGi-3000P-01M/C**  
**SMI-CGi-3648P-01M/C**  
**SMI-CGi-1240P-01M/C**  
**SMI-CGi-540P-01M/C**  
**SMI-CGi-1080P-03M/C**  
**SMI-CGi-1200P-02M/C**  
**SMI-CGi-1536P-01M/C**  
**SMI-CGi-2048P-08M/C**



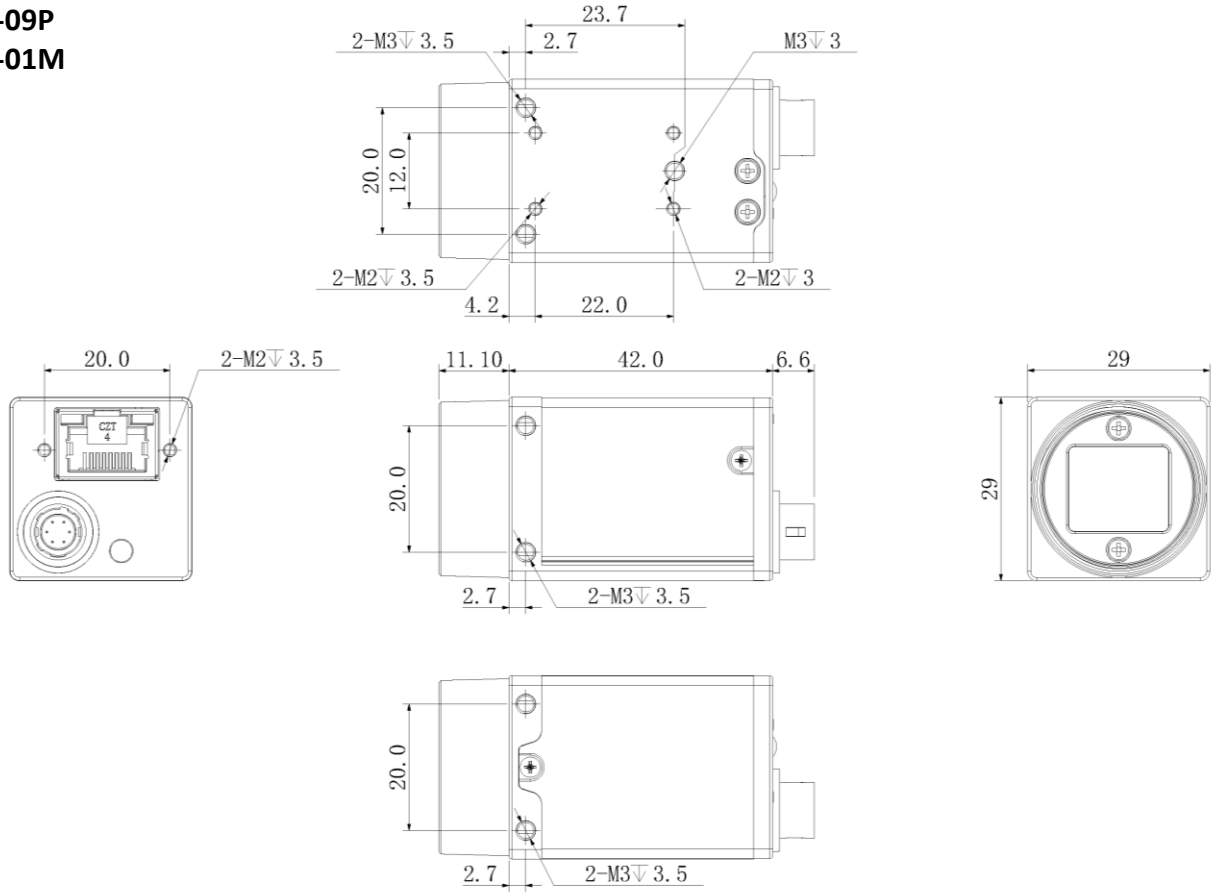
**SMI-CGi-2160P-01M**  
**SMI-CGi-5120P-01M/C**



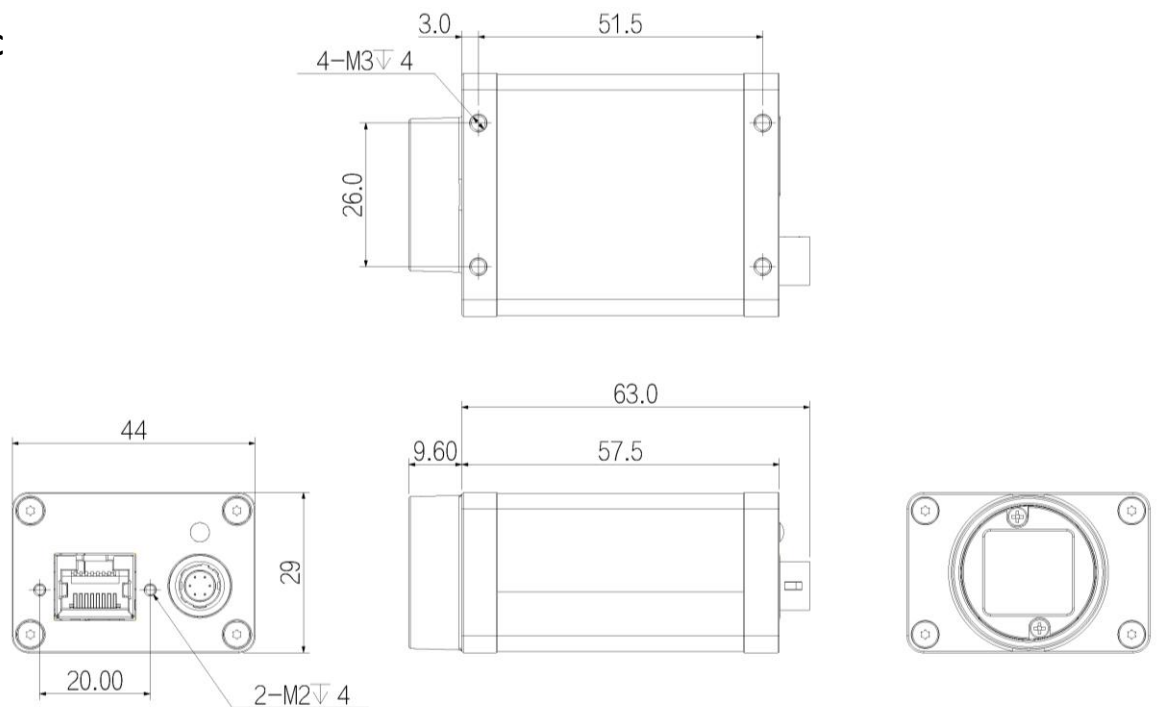
**SMI-CGi-1100P-01M/C**  
**SMI-CGi-2200P-01M/C**  
**SMI-CGi-2160P-03M/C**  
**SMI-CGi-3000P-02M/C**



**SMI-CGi-2048P-09P**  
**SMI-CGi-3072P-01M**



**SMI-CGi-3072P-02M/C**



**Contact Us**

E-mail: [smartmoreinside@smartmore.com](mailto:smartmoreinside@smartmore.com)

Web: <https://inside.smartmore.com>

Tel: +852 3111 6886

Unit 307-312, 3/F, Wireless Centre (Building 3E) No.3 Science Park East Avenue, Hong Kong Science Park Shatin, N.T., HK