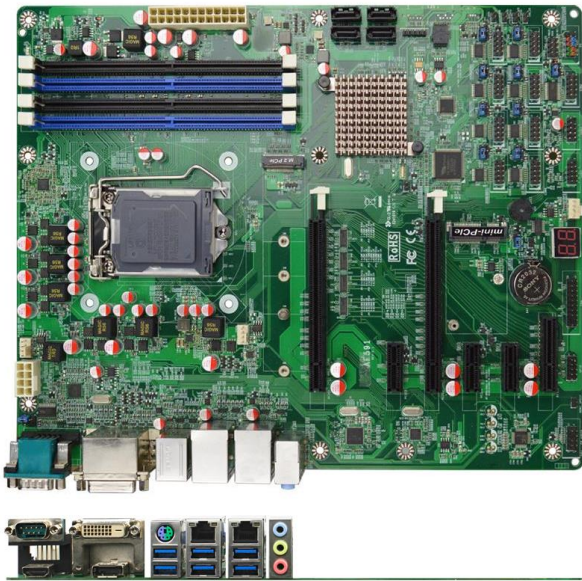
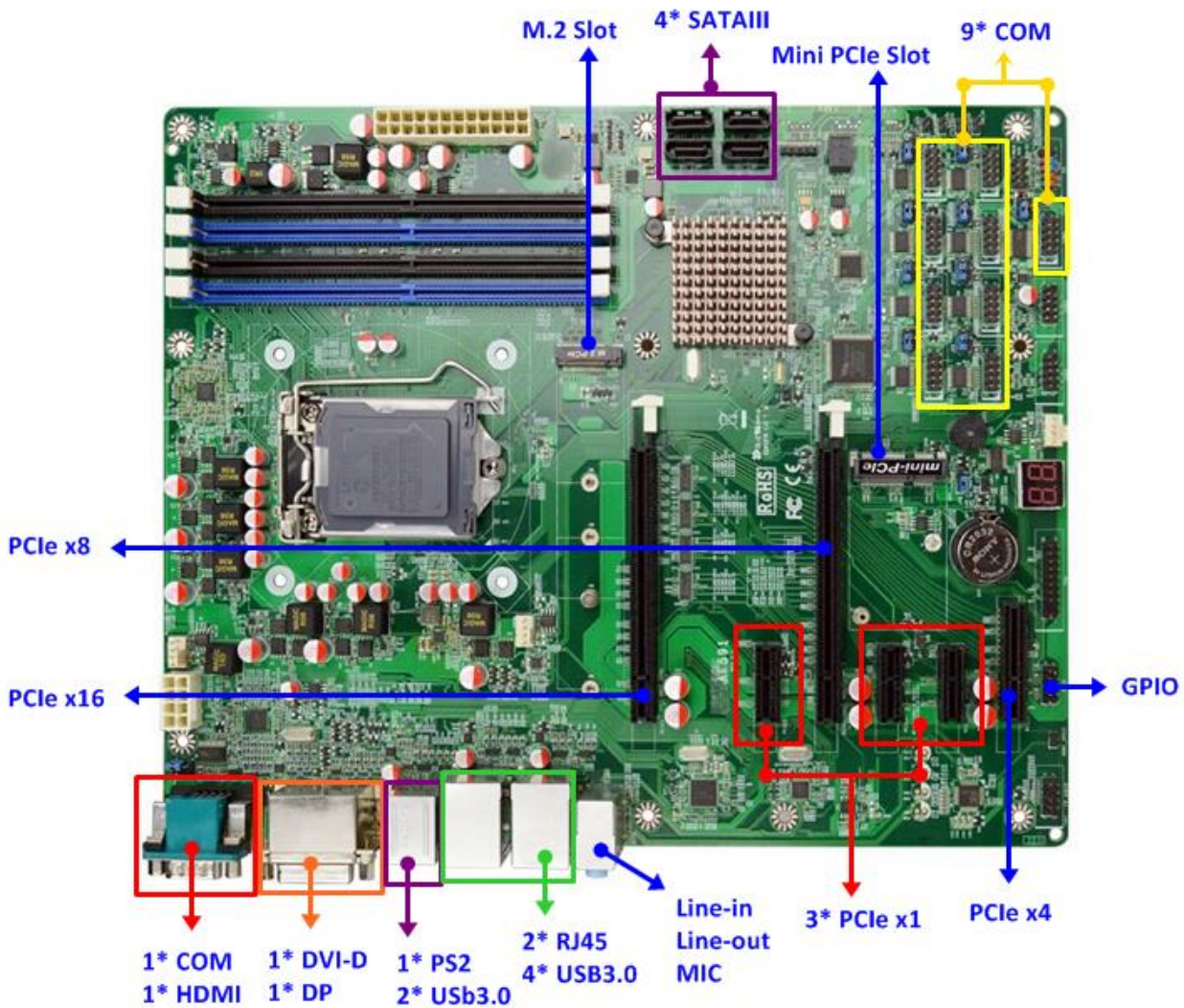


**ATX Motherboard** **NAF591-Q170**



1. Intel® Q170 Express Chipset
2. Supports Intel LGA 1151 Socket Core™ i3, i5, i7 & Pentium Processors (Max. 65W TDP)
3. Support 4 \* 288 pin 2133MHz Dual CH DDR4 SDRAM U-DIMM Max. up to 64GB
4. Intel i219LM & i211AT Gigabit LAN
5. Support Intel Active Management Technology ( iAMT 11.0)
6. Support TPM 2.0 function
7. Support CPU Smart FAN
8. Supports ACPI S3 Function
9. Support Watch dog Technology
10. ATX form factor ( 305mm \* 244mm)



## Product Specifications

### Form Factor

**Dimensions** - ATX form factor (305mm \* 244mm)

### Processor System

**CPU** - Intel LGA 1151 Socket Core™ i3, i5, i7 & Pentium Processors

**Core Number** - (by CPU)

**Max Speed** - (by CPU)

**L2 Cache** - (by CPU)

**Chipset** - Intel® Q170 Express chipset

**BIOS** - AMI 128Mb SMT Flash ROM

### Expansion Slot

**Mini-PCIe** - 1 (full size)

**PCIe** - 6 [1 x16, 1 x8, 3 x1]  
Note: When PCIe x8 slot is used, PCIe x16 auto switch to PCIe x8 bandwidth.

**M.2** - 1 [PCIe x4 M-key, 2242/2260/2280/22110 shared with SATA1(ME FW option)]

### Memory

**Technology** - 4 \* DDR4 2133MHz Dual CH

**Max.** - 64GB

**Socket** - 4 \* U-DIMM

### Graphics

**Controller** - Intel® Gen9 Graphics supports DX 11/12, OGL4.3/4.4

**VRAM** - Shared Memory

**HDMI 2.0** - 1 (Max. resolution 4096\*2160@60Hz)

**DVI-D** - 1 (Max. resolution 1920\*1080@60Hz)

**DisplayPort 1.2** - 1 (Max. resolution 4096\*2304@60Hz)

**MultiDisplay** - Yes (Triple Display)

### Ethernet

**Ethernet** - 10/100/1000 Mbps

**Controller** - GbE LAN: Intel i219LM & i211AT

**Connector** - 2 \* RJ 45

### SATA

**Max Data Transfer Rate** - 4 \* SATAIII (6.0Gb/s)

### Rear I/O

**DVI-D** - 1

**HDMI** - 1

**DisplayPort** - 1

**Ethernet** - 2

<b>USB</b>	- 6 (6 * USB 3.0)
<b>Audio</b>	- 1 (Line-in / MIC / Line-out)
<b>Serial</b>	- 1 (RS232/422/485 with 5V/12V selectable header)
<b>PS2</b>	- 1
<b>Internal Connector</b>	
<b>USB</b>	- 4 ( 4 * USB 2.0)
<b>Serial</b>	- 9 (COM2 RS232/422/485, COM3~10 RS232 with 5V/12V selectable header)
<b>SATA</b>	- 4 * SATAIII (6.0Gb/s)
<b>mPCIe</b>	- 1 (full size)
<b>M.2</b>	- 1 [PCIe x4 M-key, 2242/2260/2280/22110 shared with SATA1(ME FW option)]
<b>TPM Header</b>	- 1
<b>GPIO 8-bit</b>	- 4in / 4 out
<b>Chassis intrusion</b>	- 1
<b>Audio Header</b>	- 1
<b>Watchdog Timer</b>	
<b>Output</b>	- From Super I/O to drag RESETCON#
<b>Interval</b>	- 256 segments, 0,1,2...255sec/min
<b>Power Requirements</b>	
<b>Input PWR</b>	- 24-pin/8-pin ATX PWR Con
<b>Power On</b>	AT/ATX Supported - ATX: Press Button to PWR on after Power input ready
<b>Certifications</b>	
<b>Certifications</b>	- CE, FCC, RoHS, REACH
<b>Environment</b>	
<b>Temperature</b>	- Operating: 0°C – 60°C
	- Storage: -20°C – 85°C

- For further information please visit the website at <http://www.jetwayipc.com>
- The Specification may be changed without further notice.

<b>Standard Accessories</b>			
<b>Parts</b>	<b>CABLE for SATA3 50cm</b>	<b>COM cable</b>	<b>I/O Shield</b>
<b>P/N</b>	G01-SATA3-BL-1F	G01-COM9X3-30A-1F	F04-MB-042-F