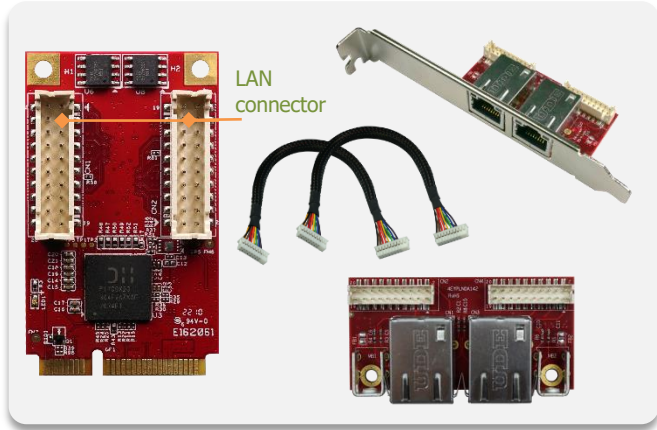


# EMPL-G2S1

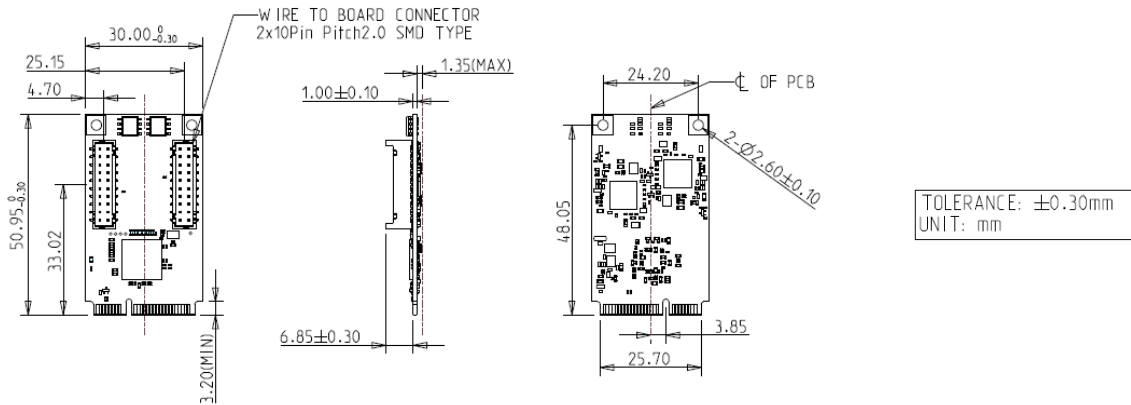
## mPCIe to dual isolated GbE LAN module



### Features

- Dual isolated GbE LAN ports
- Complies with EN61000-4-5 2kV Surge protection
- Complies with IEC 60950-1:2005 + A1: 2009 + A2:2013 2kV HiPOT protection
- Complies with EN61000-4-2 (ESD) Air-15kV, Contact-8kV
- Flexible daughter board with cable to fit into different system
- Optional terminal mounting hole or bracket for daughter board
- Optional Industrial Temperature (-40°C to +85°C) support
- 30μ " golden finger, 3-year warranty
- Industrial design, manufactured in innodisk Taiwan

### Mechanical Drawing



### Specifications

Form-Factor	mPCIe
Input I/F	PCI Express 2.1 x 1
Output I/F	Dual GbE LAN
Output Connector	RJ45 x 2
Power Consumption	MAX: 2.854W (3.3V, 865mA)
Dimension (WxLxH)	Main Board: 30 x 50.9 x 9.2 mm Daughter Board: 59.5 x 30 x 17.32 mm
Temperature	Operation: STD: 0°C ~ +70°C. W/T: -40°C ~ +85°C Storage: -55°C ~ +95°C
Environment	Vibration: 5G @7~2000Hz, Shock: 50G @ 0.5ms
Notes	Please download driver from Intel official website. Windows: 10 (64bit), Linux (igc): kernel 5.x version i225-V only supports workstation OS
Limitations	*Linux kernel rebuild is needed (modify igc driver) if version < 5.15 *Not recommend used in VMware ESXi due to High Latency *Not support Intel vPro

### Order information

- EMPL-G2S1-V1 (i225-V, Mounting hole, Standard Temp.)**
  - EMPL-G2S1-C1 (i225-LM, Mounting hole, Standard Temp.)**
  - EMPL-G2S1-W1 (i225-IT, Mounting hole, Wide Temp.)**
  - EMPL-G2S1-V2 (i225-V, Bracket, Standard Temp.)**
  - EMPL-G2S1-C2 (i225-LM, Bracket, Standard Temp.)**
  - EMPL-G2S1-W2 (i225-IT, Bracket, Wide Temp.)**
- mPCIe to dual isolated GbE LAN module

#### Headquarters (Taiwan)

5F., No.237, Sec. 1, Datong Rd.,  
Xizhi Dist., New Taipei City 221,  
Taiwan

Tel: +886-2-7703-3000  
Email: sales@innodisk.com

#### Branch Offices:

##### USA

[usasales@innodisk.com](mailto:usasales@innodisk.com)  
+1-510-770-9421

##### Europe

[eusales@innodisk.com](mailto:eusales@innodisk.com)  
+31-40-3045-400

##### Japan

[jpsales@innodisk.com](mailto:jpsales@innodisk.com)  
+81-3-6667-0161

##### China

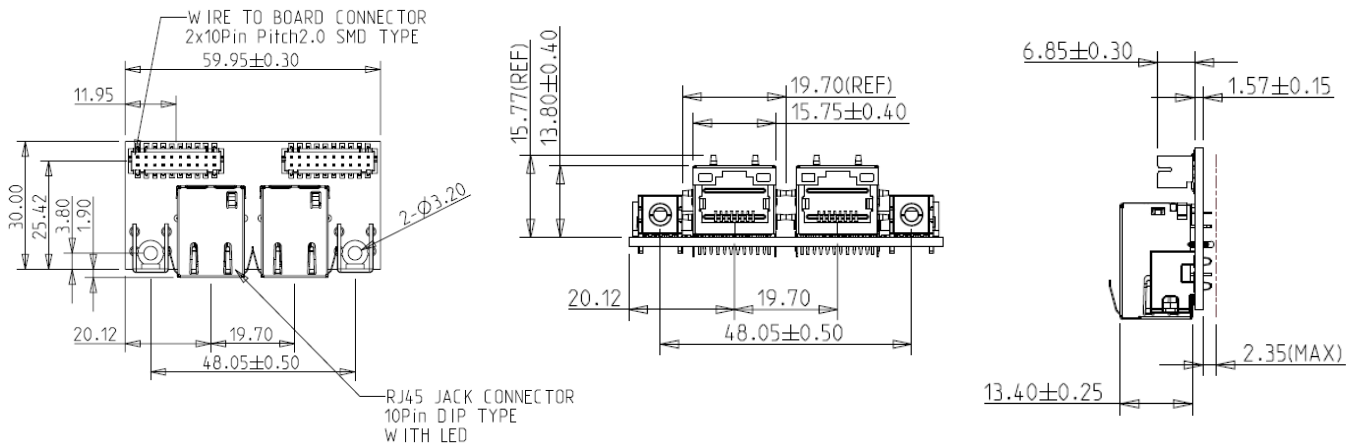
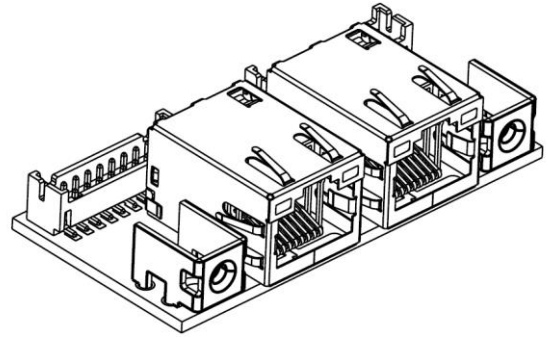
[sales\\_cn@innodisk.com](mailto:sales_cn@innodisk.com)  
+86-755-2167-3689

#### [www.innodisk.com](http://www.innodisk.com)

© 2022 Innodisk Corporation.  
All right reserved. Specifications  
are subject to change without  
prior notice.

June 15, 2022

## EMPL-G2S1-C1/W1 Daughter Board and Mechanical Drawing



## EMPL-G2S1-C2/W2 Daughter Board and Mechanical Drawing

