

Apacer

The Most **Reliable**  
Storage For Industries



Industrial CF6 (SLC)



## Industrial CF6 (SLC)

### Overview

Apacer industrial CF6 card is compliant with the CFA 6.0 specifications. Apacer adopts the standard 50-pin connector and SLC chip featuring industry-level stability for the card. It is available in capacities from 512MB to 64GB. The data transfer mode is up to PIO-6, Multi-Word DMA-4 and Ultra DMA-7, with the sequential read/write speed reaching as fast as 110/80 MB/sec. To help data stay correct, this CFC6 memory card also supports 72-bit ECC function, wear-leveling function and S.M.A.R.T. (Self-Monitoring, Analysis, and Reporting Technology), thereby substantially enhancing product reliability.



\*The actual available memory on the device is less than what is listed on the package. This is due to small discrepancies in file formats and algorithms used by various operating systems. In addition, a portion of memory space is reserved for system files and data sectors for better performance.

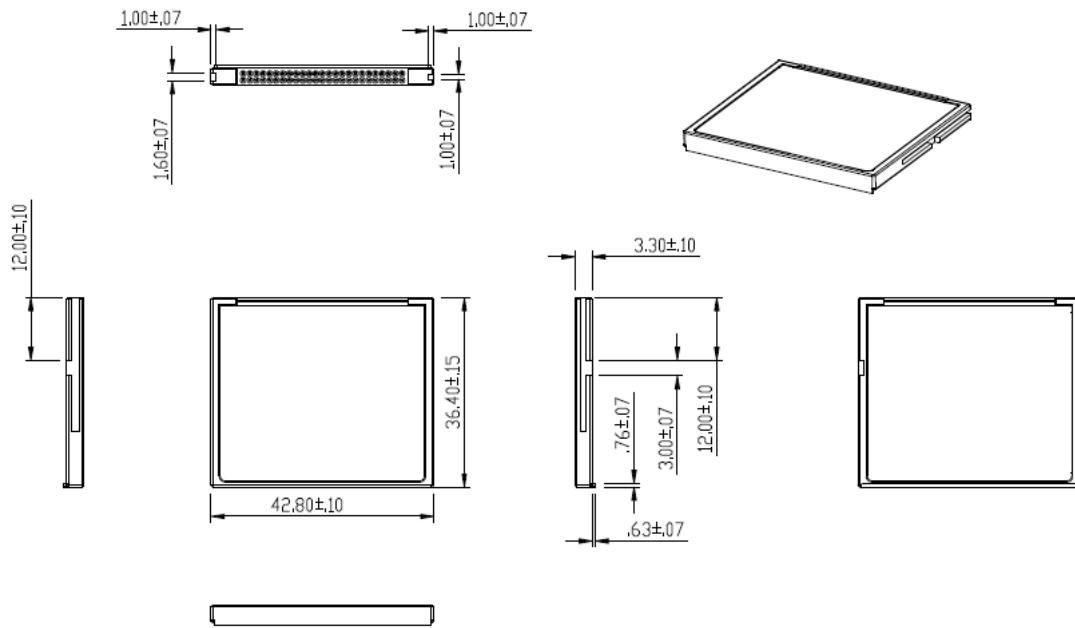
### Feature

- Compliant with CFA 6.0 specifications
- Lock switch design for write-protection
- Built-in ATA Secure Erase and S.M.A.R.T. Functions
- Advanced wear-leveling and Block Management
- Intelligent Power Failure Recovery
- Write-protection (Optional)
- Wide Temp.

## Specifications

<b>Model</b>	Industrial CF6 (SLC)
<b>Interface</b>	PC Card Memory Mode; PC Card I/O Mode; True IDE Mode
<b>Connector</b>	50-pin
<b>Form Factor</b>	CompactFlash Type I
<b>Transfer Mode</b>	PIO Mode-6, MWDMA Mode-4, UDMA Mode-6
<b>NAND Flash Type</b>	SLC
<b>Capacity</b>	512MB~64GB
<b>Sustained Read Performance (MB/sec)</b>	Up to 110
<b>Sustained Write Performance (MB/sec)</b>	Up to 80
<b>ECC Engine</b>	Built-in 72-bit per 1K bytes BCH ECC
<b>Standard Operating Temperature ( °C )</b>	0 ~ + 70
<b>Extended Operating Temperature ( °C )</b>	-40 ~ + 85
<b>Storage Temperature ( °C )</b>	-40 ~ + 100
<b>H/W Write Protect</b>	Optional
<b>Shock</b>	Operation: 50G, 11ms Non-operation: 1500G, 0.5ms
<b>Vibration</b>	Operation: 7.69 Grms, 20~2000 Hz/random (compliant with MIL-STD-810G) Non-operation: 15 G, 10 ~ 2000 Hz/sine
<b>Operating Voltage</b>	3.3 V / 5.0 V ± 5%
<b>Power Consumption</b>	Active mode: 310 mA, Standby mode: 5 mA
<b>Dimension (L x W x H )</b>	36.4mm x 42.8mm x 3.3mm
<b>MTBF (hours)</b>	>2,000,000

## Mechanical Specification



Unit: mm

For more information, contact your Apacer representative

### Global Presence

Taiwan (Headquarters)  
Apacer Technology Inc.  
Tel: +886-2-2267-8000  
Fax: +886-2-2267-2261

Europe  
Apacer Technology B.V.  
Tel: +31-40-267-0000  
Fax: +31-40-290-0686

U.S.A.  
Apacer Memory America, Inc.  
Tel: +1-408-518-8699  
Fax: 1-510-249-9551

China  
Apacer Electronic(Shanghai)  
Co., Ltd.  
Tel: +86-21-6228-9939

Japan  
Apacer Technology Corp.  
Tel: +81-3-5419-2668  
Fax: +81-3-5419-0018

India  
Apacer Technologies Pvt. Ltd.  
Tel: +91-80-41529061~3  
Fax: +91-80-41700215