

ES520



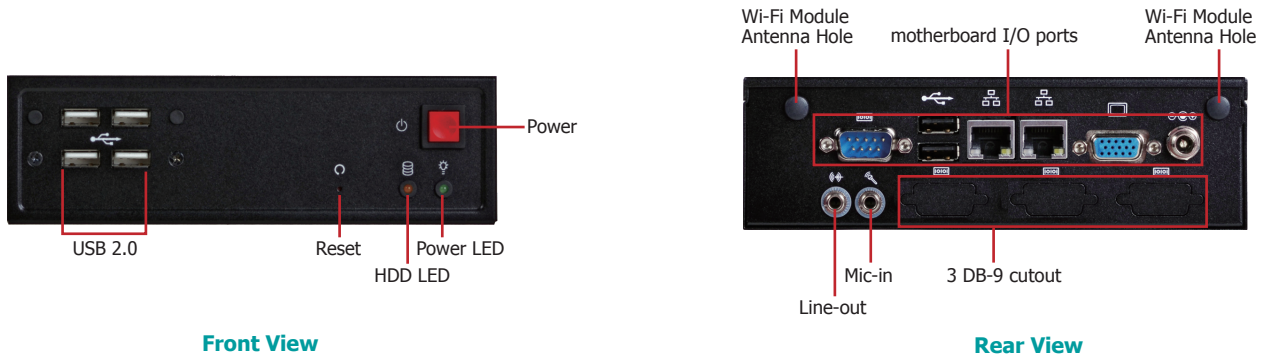
3.5" SBC

Features

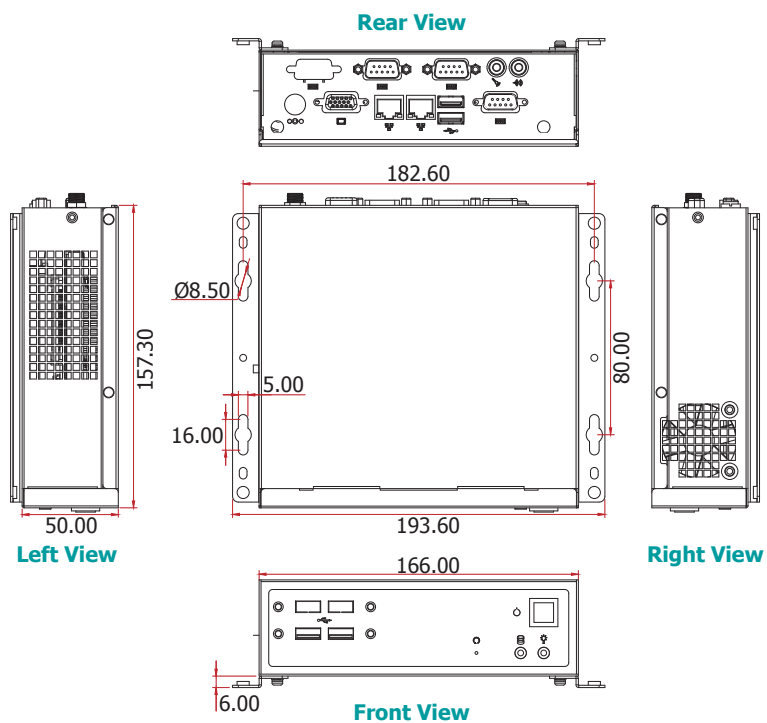
- Designed to accommodate any DFI's 3.5" SBCs
- 4 or 2 USB ports at the front panel (optional)
- 1 2.5" SATA drive bay



Panel



Dimensions



ES520

Specifications * Optional and is not supported in standard model. Please contact your sales representative for more information.

STORAGE

- 1 2.5" SATA drive bay

I/O

- Front Panel
 - 4 or 2 USB 2.0*
 - 1 HDD LED
 - 1 Power LED
 - 1 Power button
 - 1 Reset button
- Rear Panel
 - 3 DB-9 cutout
 - 1 Mic-in
 - 1 Line-out

COOLING SYSTEM

- 1 system fan

ENVIRONMENT

- Temperature
 - Storage: -10°C ~ 60°C
- Humidity
 - Operating: 0% to 85% non-condensing

CONSTRUCTION

- Sheet metal

MOUNTING

- Wall mount
 - brackets and screws*

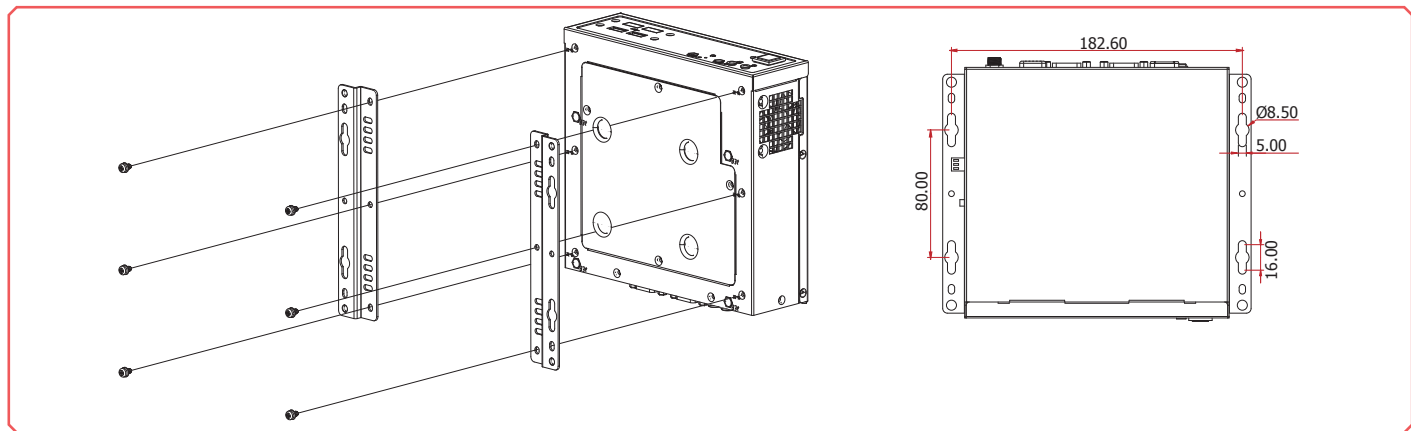
DIMENSIONS

- 166mm x 50mm x 157.3mm (W x H x D)

Optional Items

Optional Items	PN	Description
Wall Mount	761-ES5200-000G	ES520 Wall mount kit, RoHS

Wall Mounting



Fully compatible with DFI's 3.5" SBCs

