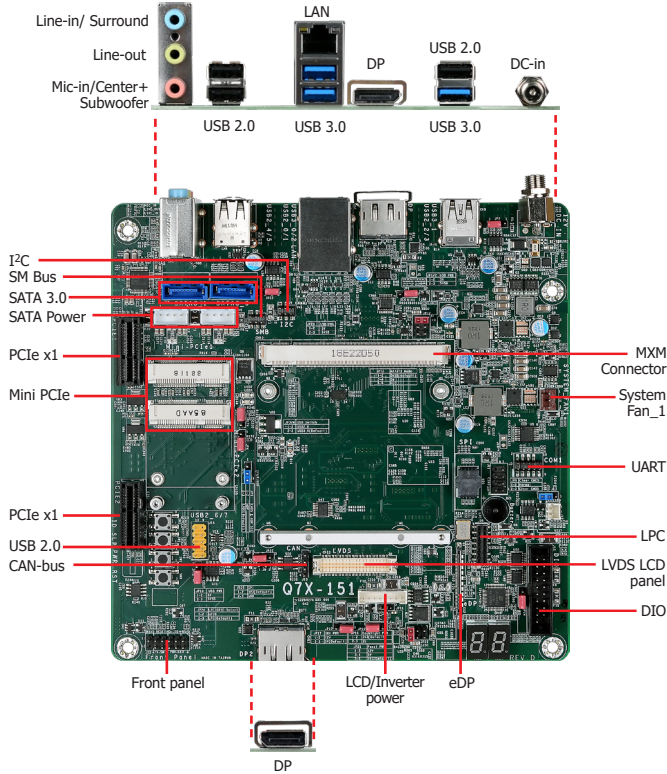


Q7X-151 (R.D1)

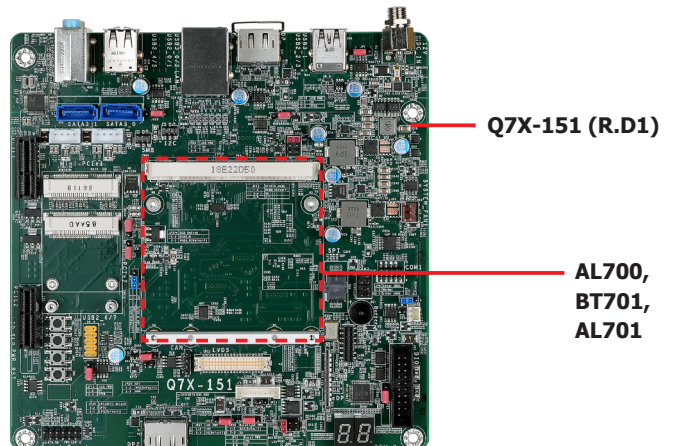


Features

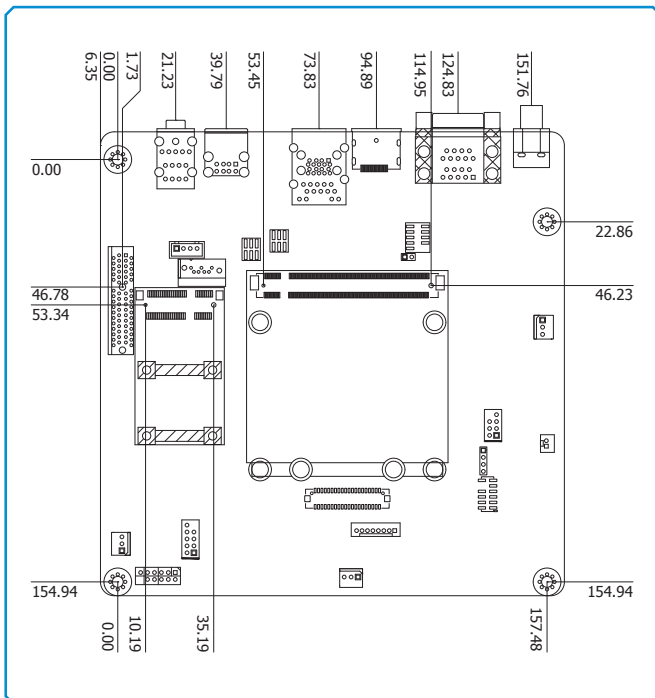
EXPANSION	2 PCIe x1 2 Mini PCIe 1 SDIO
DISPLAY OUTPUTS	2 DP, 1 LVDS, 1 eDP
LAN	1 LAN
COM	2 COM
USB	3 USB 3.0, 8 USB 2.0
STORAGE	2 SATA 3.0
DIMENSIONS	170mm x 170mm (6.7" x 6.7")



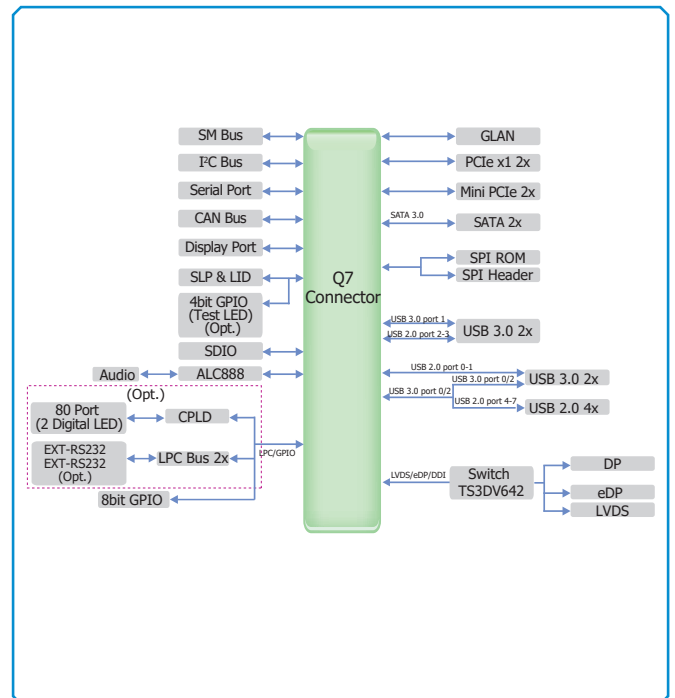
For AL700, BT701, AL701



Mechanical Drawing



Block Diagram



Q7X-151 (R.D1)

► Specifications * Optional and is not supported in standard model. Please contact your sales representative for more information.

ONBOARD GRAPHICS FEATURES

- Display ports
 - 1 dual channel LVDS
 - 1 eDP port
 - 2 DP port

ONBOARD AUDIO FEATURES

- Realtek ALC886 5.1-channel High Definition Audio
- Audio outputs: Mic-in/Center+Subwoofer, line-in/surround and line out

ONBOARD USB FEATURES

- 3 USB 3.0 and 8 USB 2.0 ports

STORAGE

- 2 SATA 3.0 port with data transfer rate up to 6Gb/s
 - SATA port provides adequate space for SATA DOM

Front PANEL I/O PORTS

- 1 DP port

REAR PANEL I/O PORTS

- 1 12V DC-in jack
- 2 DB-9 RS232 serial ports
- 1 DP port
- 1 RJ45 LAN port
- 3 USB 3.0 port
- 6 USB 2.0 type A ports
- Mic-in/Center+Subwoofer, line-in/surround and line out jacks

I/O CONNECTORS

- 1 connector for 2 external USB 2.0 ports
- 2 UART ports
 - 1 supports TX/RX signal only (UART 2)
- 1 eDP port
- 1 LVDS LCD panel connector
- 1 LCD/inverter power connector
- 2 SATA power connector
- 2 SATA 3.0 port
- 1 LPC connector
- 1 I²C connector
- 1 SMBus connector
- 1 CAN-bus connector
- 1 front panel connector
- 3 fan connectors

EXPANSION SLOTS

- 2 PCIe x1 slot
- 2 Mini PCIe slot
- 1 SDIO socket

WATCHDOG TIMER

- Watchdog timeout programmable via software from 1 to 255 seconds

DAMAGE FREE INTELLIGENCE

- Monitors system temperature and overheat alarm
- Monitors system fan speed and failure alarm

ROM INTERFACE

- 1 SPI interface
 - Supports up to 64Mbit

TEMPERATURE

- Operating: 0°C to 60°C
- Storage: -20°C to 85°C

HUMIDITY

- 5% to 90%

BOARD TO BOARD CONNECTORS

- One MXM connector

DIMENSIONS

- Mini-ITX form factor
- 170mm (6.7") x 170mm (6.7")

► Packing List

- | |
|--|
| • 1 Q7X-151 (R.D1) board |
| • 1 Serial ATA signal cable: 332-553001-005G |
| • 1 I/O shield: A49-Q7X151-000G |
| • 1 DVD |

► Optional Items

- | |
|---|
| • USB port cable: 332-253010-026G |
| • I/O shield: A49-Q7X151-000G |
| • Power adapter (100W, 12V, Level 6): 671-110002-100G |