

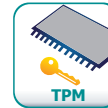


RPC101-BT



► Features

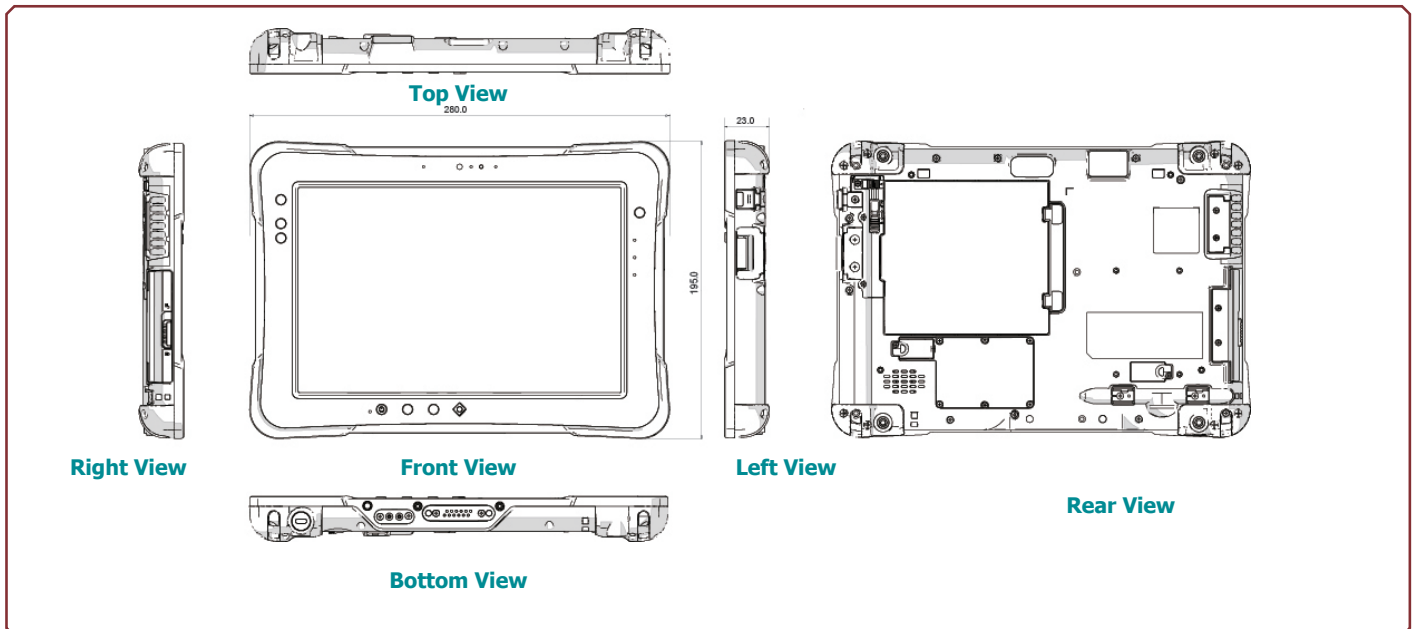
- IP65, MIL-STD-810G, 5-foot drop resistance
- 1000 nits sunlight readable display
- Capacitive touch supports glove touch, 2mm hard tip stylus; digitizer by request
- GNSS, Wi-Fi, Bluetooth and optional 4G LTE
- Hot swappable battery design
- Optional fingerprint and MRZ reader
- Dual pass-through connector for WLAN, GNSS, WWAN



► I/O Connectors



► Dimensions



► Specifications

SYSTEM	Processor	Intel Atom® E3827 Processor 1.75GHz
	Memory	4GB/8GB DDR3L Onboard
DISPLAY AND TOUCH SCREEN	Display	10.1" WUXGA (1920 x 1200) TFT LCD, Multiple Capacitive Touch with Gorilla Glass
	Brightness	1000 cd/m ²
	Sensor	Accelerometer Sensor E-Compass Sensor Gyroscope Sensor
		Vibrator Light Sensor
STORAGE	SSD	128GB/256GB mSATA SSD 32GB mSATA SSD (support Android OS only)
COMMUNICATION	Wireless	Wi-Fi 802.11 a/b/g/n/ac Bluetooth V4.0+EDR GNSS (GPS/GLONASS, BeiDou)
		4G LTE (optional) NFC RFID 13.56MHz (optional)
CAMERA	Rear Camera	5.0 Mega Pixels, Auto Focus, LED Flash Light
	Front Camera	2.0 Mega Pixels
AUDIO	Internal	2 x 0.8W Speaker
LED	Indicator	1 x Red/Green LED for Power and System Status 1 x Blue LED for NFC RFID
I/O	External	1 x microSD 1 x micro SIM 1 x micro HDMI 1 x Earphone & Mic 1 x USB 2.0 Type A 1 x USB 3.0 Type A 1 x RJ-232 1 x GbE (RJ-45) 2 x RF Pass-through Connector for WLAN/ GNSS/ WWAN 1 x Docking Connector (12-pin) 1 x DC Jack NFC + Smart Card Reader 2-in-1 Module (optional) Built-in 2D Barcode Reader (optional)
	Buttons	1 x Power Button 1 x Home Button 1 x Volume Button 1 x Barcode Trigger 3 x Programmable Button
SECURITY	TPM	TPM 1.2 Janus USB Ignition Key, Phoenix SecureWipe (optional)
POWER	AC/DC Adapter	100~240V AC 50/60Hz 0.8A
	Battery	4500mAh (standard Hot Swappable Battery) 9000mAh (optional Hot Swappable Battery)
OS SUPPORT		Windows 10 IoT Enterprise Android 5.1 (optional)
MECHANISM	IP Rating	IP65 Protection
	Dimensions (W x H x D)	280mm x 195mm x 230mm (11" x 7.7" x 0.9")
	Weight	1330 g
ENVIRONMENT	Operating Temperature	-20 to 50°C
	Storage Temperature	-30 to 70°C
	Charging Temperature	0 to 40°C
	Relative Humidity	5 to 95% RH (non-condensing)
STANDARDS AND CERTIFICATIONS	Drop	5ft Drop Tested
	Certification	CE, FCC, MIL-STD-810G

► Packing List

• 1 RPC101-BT Tablet
• 1 Power Adapter
• 1 Hand Strap
• 1 Shoulder Strap
• 1 Handle
• 1 Stylus