



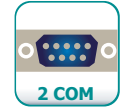
# TPC121

H61



## Features

- 12.1" 1024x768 TFT LCD Panel with Touch Screen
- 1x 2.5" SATA drive bay
- 2 USB 2.0 at the front panel for easy access
- 5 function keys at the front panel
- Built-in antenna for optional Wi-Fi
- VESA/Wall/Panel Mount

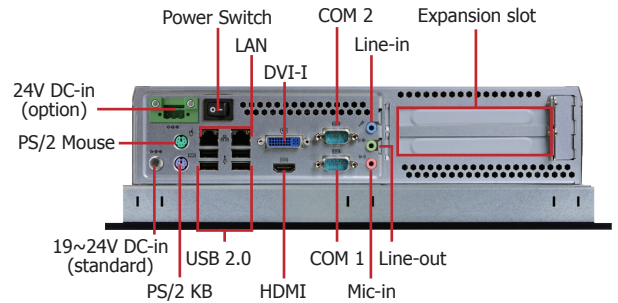


Optional  
Optical Drive

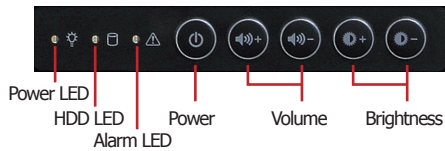
## Panel



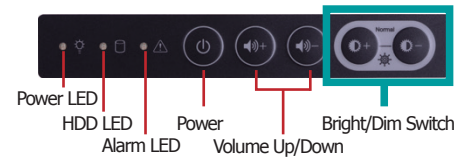
Front View



Bottom View

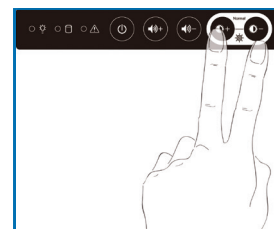


### Function keys (standard)



### Bright/Dim Switch (optional)

Press the buttons simultaneously to switch the screen between bright and dim.



# TPC121

## Specifications \* Optional and is not supported in standard model. Please contact your sales representative for more information.

### PROCESSOR SYSTEM

- Processors:
  - 3rd generation Intel® Core™ processors
  - 2nd generation Intel® Core™ processors
  - Supports up to 65W TDP
- Intel H61 Express chipset

### MEMORY

- Two DDR3 1333/1600MHz SODIMM sockets (3rd generation processors)
- Two DDR3 1066/1333MHz SODIMM sockets (2nd generation processors)
- Supports up to 16GB system memory

### LCD and TOUCH SCREEN

- 12.1" 1024x768 TFT LCD panel with touch screen
- Supports 5-wire Resistive Touch
- 30,000 MTBF LED backlight
- Brightness (cd/m<sup>2</sup>): 500

### GRAPHICS

- Intel® HD Graphics
- Display ports: HDMI and DVI-I
- HDMI and DVI-I display resolution up to 1920x1200

### STORAGE

- 1 2.5" SATA drive bay
  - SATA 2.0 port with data transfer rate up to 3Gb/s
- 1 optical drive bay\*

### ETHERNET

- 1 Intel® W82579LM Gigabit Ethernet controller
- 1 Intel® W82574L Gigabit Ethernet controller

### AUDIO

- Realtek ALC886 5.1-channel High Definition Audio
- Two 3W speakers (left and right sides)

### COM

- 1 RS232/422/485 COM port
- 1 RS232 COM port

### USB

- 2 Type A USB 2.0/1.1 ports at the front panel
- 4 Type A USB 2.0/1.1 ports at the bottom

### I/O

- Front
  - 2 Type A USB 2.0/1.1 ports
  - 5 function keys: power, volume, and brightness
  - 3 LED indicators: Power, HDD, Alarm
  - 1 built-in antenna
- Bottom
  - 1 DB-9 RS232/422/485 COM
  - 1 DB-9 RS232 COM
  - 1 PS/2 keyboard
  - 1 PS/2 mouse
  - 4 Type A USB 2.0/1.1
  - 3 audio jacks: Mic-in, Line-in, Line-out
  - 2 RJ45 LAN with LEDs
  - 1 DVI-I
  - 1 HDMI
  - 1 power switch
  - 1 +19V DC-in jack or 16-30V 3-pole terminal block

### EXPANSION

- 1 PCIe x1 and 1 PCI (X100-3PE2)
- 2 PCI (X100-2P1M)
- 2 Mini PCIe
  - Supports PCIe and USB signals for Wi-Fi module
  - Supports half/full size Mini PCIe card

### POWER

- Power input voltage
  - Standard: 19~24V DC-in jack
  - Option: 24V DC-in 3-pole terminal block

### COOLING SYSTEM

- Smart fan system control suitable for quiet environments

### ENVIRONMENT

- Temperature
  - Operating: -10°C ~ 50°C
  - Storage: -20°C ~ 60°C
- Relative Humidity
  - 90% RH at 50°C, 1 week
- Corrosion
  - 4 periods of 7 days at 50°C with 90-95% relative humidity after 2 hours salt spray or waiver

### VIBRATION

- Operating: 1G, 5~500Hz
- Non-operating: 1.5G, 5~25Hz
- IEC 68-2-64 compliant

### SHOCK

- Operating: 3G peak acceleration (11 msec. duration)
- Non-operating: 10G peak acceleration (11 msec. duration)
- IEC 68-2-27 compliant

### FRONT PANEL PROTECTION

- IP65 (Dust Tight; Water Proof protection)

### CONSTRUCTION

- Aluminum front bezel
- Rear panel: sheet metal

### MOUNTING

- VESA mount: 75x75 and 100x100
- Wall mount bracket\*
- Panel mount: mounting clamp\*

### DIMENSIONS

- 345mm x 265mm x 103mm (W x H x D)

### WEIGHT

- 6.5 kg

### OS SUPPORT

- Windows XP, WES 2009, POSReady 2009, Windows 7, WES 7
- Linux (Distribution available upon request)

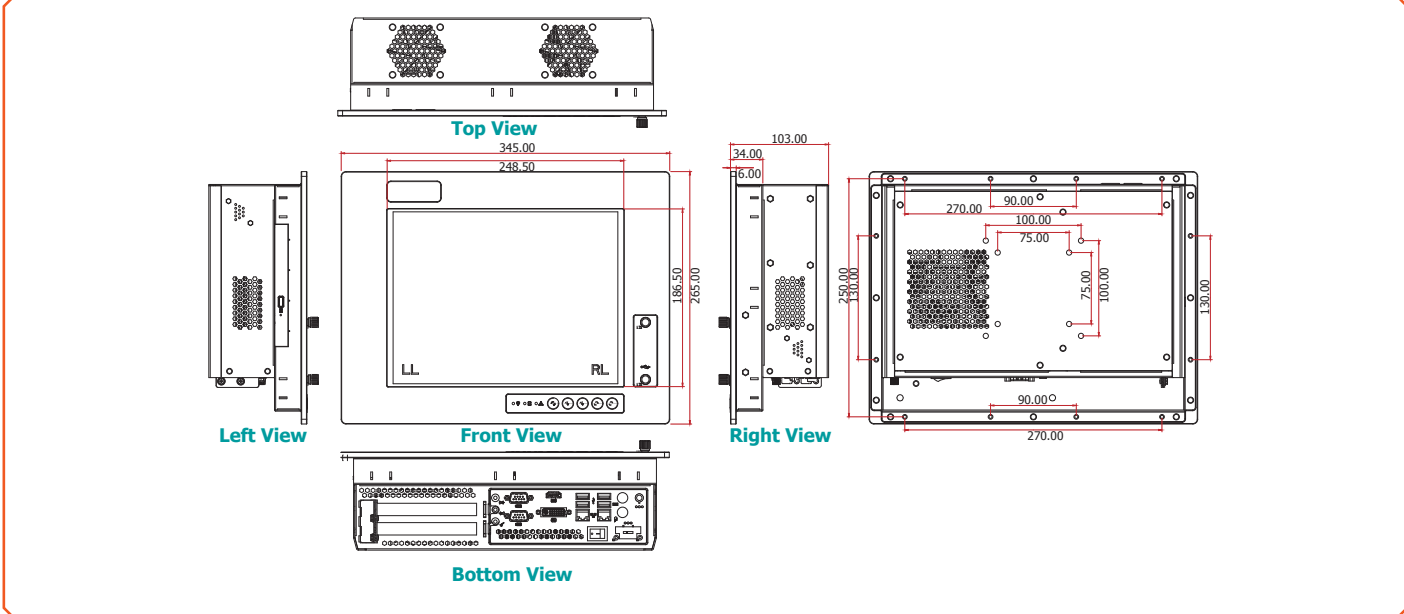
### CERTIFICATION

- CE
- FCC Class A
- RoHS

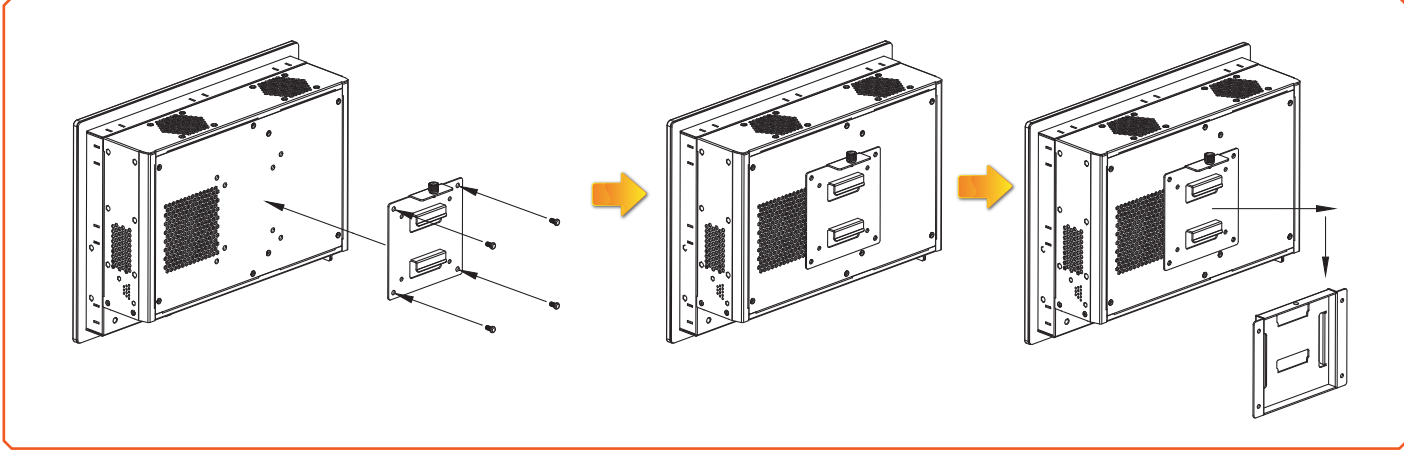


# TPC121

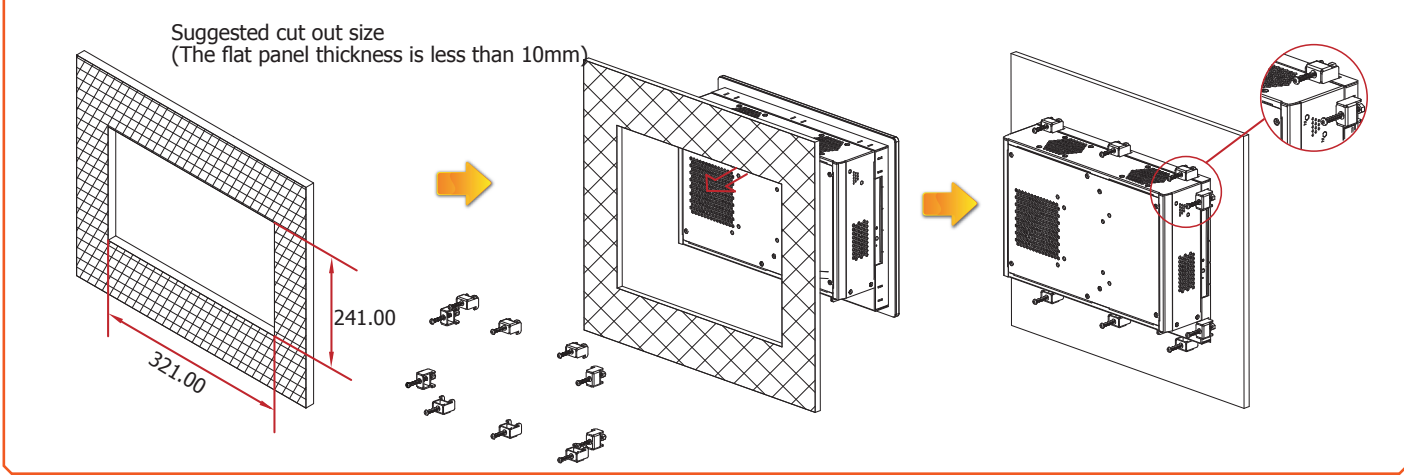
## Dimensions



## Wall Mounting



## Panel Mounting



## TPC121

### ► Ordering Information

Model Name	Part Number	Description
<b>TPC1212TR-SBDCR-R10</b>	750-TPC121-000G	12.1" Panel PC, H61 chipset, Aluminum Front Bezel, Resistive Touch, DC input, 1 PCIe x1, 1 PCI, 2 Mini PCIe
<b>TPC1212TR-SBDCMR-R10</b>	750-TPC121-010G	12.1" Panel PC, H61 chipset, Aluminum Front Bezel, Resistive Touch, terminal block DC input, 1 PCIe x1, 1 PCI, 2 Mini PCIe
<b>TPC1212TR-SBDCR-R11</b>	750-TPC121-600G	12.1" Panel PC, H61 chipset, Aluminum Front Bezel, Resistive Touch, DC input, 2 PCI, 2 Mini PCIe
<b>TPC1212TR-SBDCMR-R11</b>	750-TPC121-610G	12.1" Panel PC, H61 chipset, Aluminum Front Bezel, Resistive Touch, terminal block DC input, 2 PCI, 2 Mini PCIe

### ► Optional Items

Optional Items	Part Number	Description
<b>CPU</b>	785-CP1155DL	CPU, LGA 1155, Long-term support, RoHS
<b>Memory</b>	785-RSOD38G-L	SODIMM, DDR3L Module (supports dual voltage 1.5V DDR3/1.35V DDR3L), 8GB, RoHS
	785-RSOD34G-L	SODIMM, DDR3L Module (supports dual voltage 1.5V DDR3/1.35V DDR3L), 4GB, RoHS
	785-RSOD32G-L	SODIMM, DDR3L Module (supports dual voltage 1.5V DDR3/1.35V DDR3L), 2GB, RoHS
	785-RSOD31G	SODIMM, DDR3 Module, 1GB, RoHS
<b>HDD</b>	785-H25500G	2.5" SATA HDD, 500GB, RoHS
	785-H25320G	2.5" SATA HDD, 320GB, RoHS
<b>Wi-Fi</b>	761-110091-000G	Wi-Fi kit, RoHS
<b>Power Cord</b>	785-PWRD	Power cord, Standards (USA/EUR/CH), 1.8m, RoHS
<b>Wall Mount</b>	785-PPCWMK	Standard Panel PC Wall Mount kit
<b>Panel Mount</b>	785-121PMK	12.1" Panel PC Panel Mount kit
<b>DVD-ROM</b>	785-STDDRW	Slim Type SATA DVD-RW/DVD ROM
<b>CD-RW ROM</b>	785-STCDRW	Slim Type SATA CD-RW/DVD ROM

### ► Packing List

• 1 TPC121 Touch Panel PC
• 1 120W power adapter (only for TPC-1212TR-SBDCR-R10, TPC1212TR-SBDCR-R11)
• 1 Quick Installation Guide
• 1 CD disk includes driver/manual