



VP101-BT

Atom

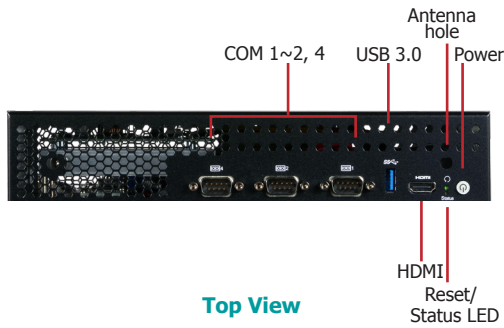


Features

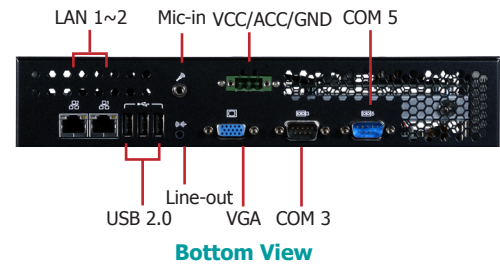
- 10.1" 1280x800 TFT LCD Panel with Touch Screen
- Supports Ignition Control and Delay On/Off Function
- IP65 Front Panel Protection
- VESA/Panel Mount
- Rich I/O: 2 LAN, 5 COM, 1 USB 3.0, 3 USB 2.0



Panel

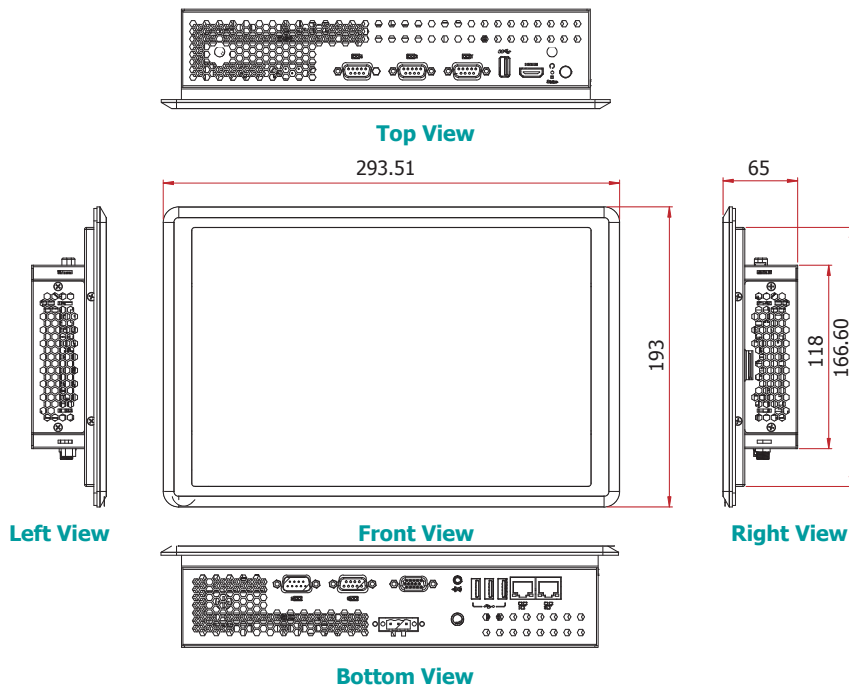


Top View



Bottom View

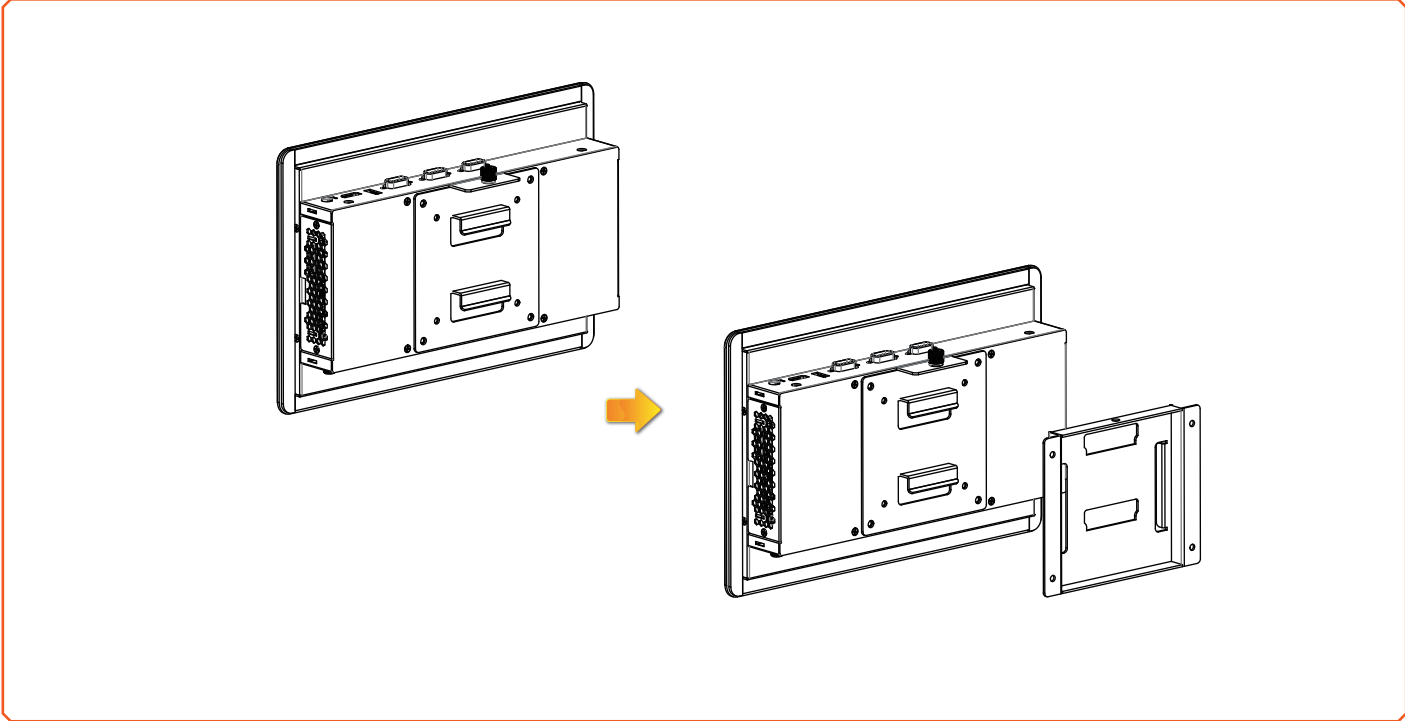
Dimensions



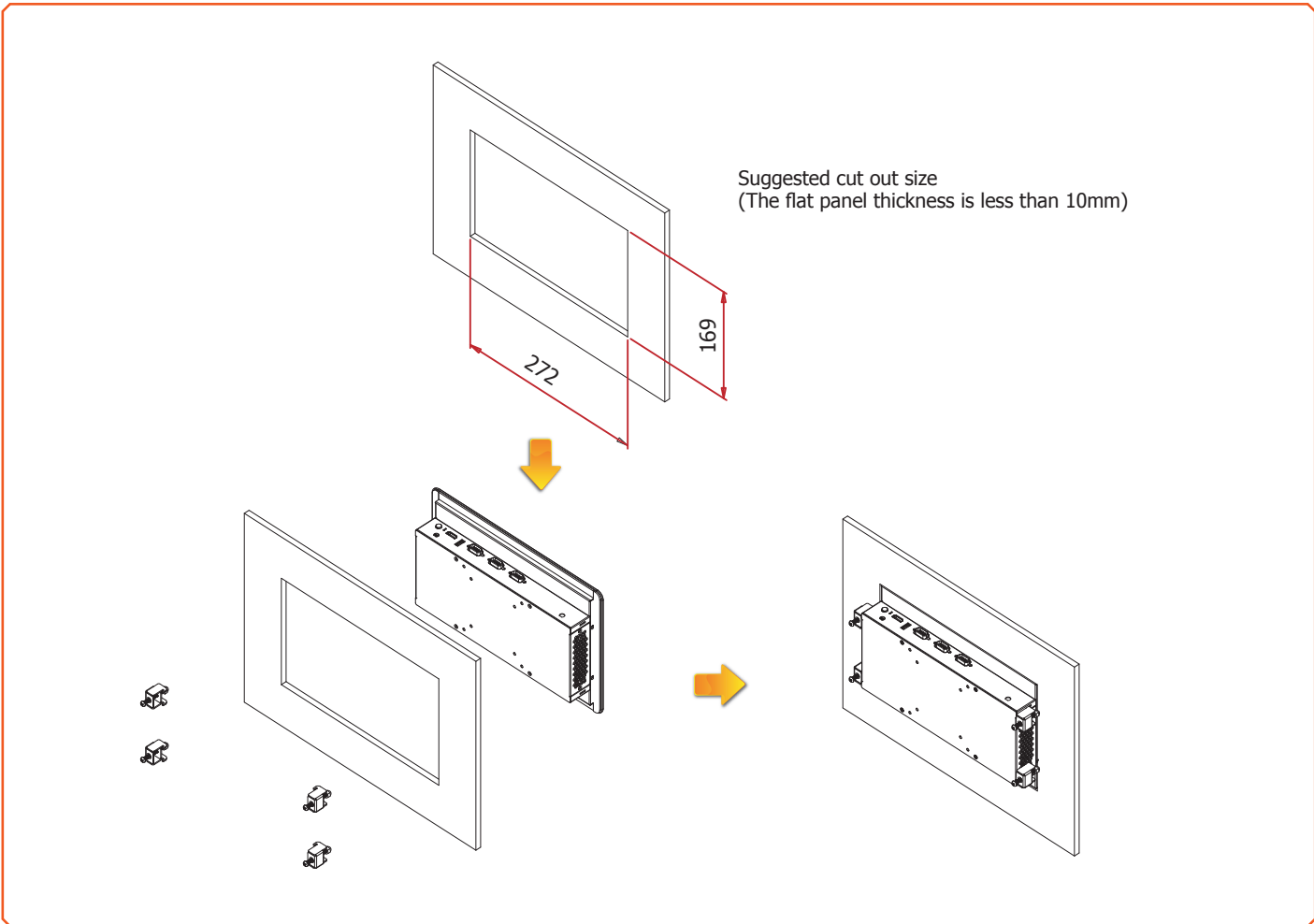
► Specifications

SYSTEM	Processor	Intel® Atom™ Processor E3800 Series, BGA 1170 Intel® Atom™ Processor E3845, Quad Core, 2M Cache, 1.91GHz, 10W Intel® Atom™ Processor E3825, Quad Core, 1M Cache, 1.33GHz, 6W	
	Memory	2GB/4GB ECC Memory Down Single Channel DDR3L 1333MHz	
	BIOS	AMI SPI 64Mbit	
	DISPLAY AND TOUCH SCREEN	Display 10.1" 1280x800 TFT LCD Panel with Capacitive Touch Screen	
	Brightness	500 cd/m ²	
	Contrast	800:1	
	Backlight Lifetime	50,000 hours	
GRAPHICS	Controller	Intel® HD Graphics	
	Feature	DirectX 11, OCL 1.2, OGL 4.0 H.264, MPEG2, MVC, VC-1, WMV9, VP8 (supported version dependent on OS)	
	Display	1 x HDMI HDMI: resolution up to 1920x1080 @ 60Hz 1 x VGA	
STORAGE		1 x 2.5" SATA 2.0 Drive Bay 1 x micro SD (available upon request) Onboard eMMC (available upon request)	
	EXPANSION	Interface	1 x Full-size Mini PCIe (PCIe/USB) 1 x Full-size Mini PCIe (mSATA) 1 x Half-size Mini PCIe (PCIe/USB/LPC) 1 x SIM Socket
		Audio Codec	Realtek ALC886 5.1-channel
Controller		2 x Intel® I210AT PCIe (10/100/1000Mbps)	
Indicators		1 x Power LED 1 x HDD LED	
TOP I/O	Serial	3 x RS-232/422/485 (DB-9) (one supports 8-bit DIO)	
	USB	1 x USB 3.0 (type A)	
	Display	1 x HDMI	
	Buttons	1 x Power Button 1 x Reset Button	
	Antenna	2 x Antenna Hole	
	BOTTOM I/O	Ethernet	2 x GbE (RJ-45) (10/100/1000Mbps)
Serial		1 x RS-232/422/485 (DB-9) 1 x RS-232 (DB-9)	
USB		3 x USB 2.0 (type A)	
Audio		1 x Line-out 1 x Mic-in	
Output & Interval		System Reset, Programmable via Software from 1 to 255 Seconds	
WATCHDOG TIMER	Type	Wide Range 9~36V In-Vehicle Power Management Includes Ignition On/Off and System On/Off Delay Time Control	
	Connector	3-pin Terminal Block (VCC/ACC/GND)	
POWER		Windows 7 (32bit/64bit) Ubuntu 16.04 (64-bit) Windows 10 IoT Enterprise (32bit/64bit)	
	OS SUPPORT		
MECHANISM	Construction	Aluminum Front Bezel	
	IP Rating	IP65 Front Panel Protection	
	Mounting	Panel/VESA Mount	
	Dimensions (W x H x D)	294mm x 193mm x 65mm	
	Weight	1.7 Kg	
ENVIRONMENT	Operating Temperature	-20 to 60°C	
	Storage Temperature	-30 to 80°C	
	Relative Humidity	5 to 85% RH (non-condensing)	
STANDARDS AND CERTIFICATIONS	Shock	OP: Half-sine, 3G @ 11ms Non-OP: Half-sine, 5G @ 11ms	
	Vibration	OP: Random, 1Grms @ 5~500Hz, 30min Non-OP: Sweep sine, 3Grms @ 10~500Hz, 30min	
	Certifications	CE, FCC Class A, E-Mark (E13)	

▶ Wall Mounting



▶ Panel Mounting



► Ordering Information

Model Name	Part Number	Description
VP101-BT-454	750-VP1010-000G	10.1" Panel PC, BT253, Intel® Atom™ E3845, 4G RAM, 9~36V DC input
VP101-BT-252	750-VP1010-100G	10.1" Panel PC, BT253, Intel® Atom™ E3825, 2G RAM, 9~36V DC input

► Optional Items

Optional Items	Part Number	Description
HDD	785-H25500G	2.5" SATA HDD, 500GB, RoHS
	785-H25320G	2.5" SATA HDD, 320GB, RoHS
	785-S251TBG	2.5" SATA SSD, 1TB MLC, RoHS
	785-S25512G	2.5" SATA SSD, 512GB MLC, RoHS
	785-S25256G	2.5" SATA SSD, 256GB MLC, RoHS
	785-S25128G	2.5" SATA SSD, 128GB MLC, RoHS
	785-S25064G	2.5" SATA SSD, 64GB MLC, RoHS
	785-S25032G	2.5" SATA SSD, 32GB MLC, RoHS
mSATA	785-MS128GMF	mSATA Card, 128GB MLC, RoHS
	785-MS64GMF	mSATA Card, 64GB MLC, RoHS
	785-MS32GMF	mSATA Card, 32GB MLC, RoHS
	785-MS16GMF	mSATA Card, 16GB MLC, RoHS
	785-MS08GMF	mSATA Card, 8GB MLC, RoHS
	785-MS04GMF	mSATA Card, 4GB MLC, RoHS
Wi-Fi	761-110091-000G	Wi-Fi kit, RoHS
Power Cord	785-PWRD	Power cord, Standards (USA/EUR/CH), 1.8m, RoHS
Power Adapter	671-110003-100G	120W, 19V/6.3A, Level 6, RoHS
Wall Mount	761-TPC000-000G	Accessory Wall Mount Kits TPC Series/KS2xx, RoHS
Panel Mount	761-VS1010-000G	Accessory Panel Mount Kit VIS101, RoHS

785-XXX is a group number instead of a unique part number. Please contact your regional sales representative if you need more information.

► Packing List

• 1 VP101-BT Touch Panel PC
• 1 Poron foam
• 1 Chassis Panel Mount Bracket
• 1 Quick Installation Guide
• 1 CD disk includes:
- Manual