



WM343-SD331

C236
Q170

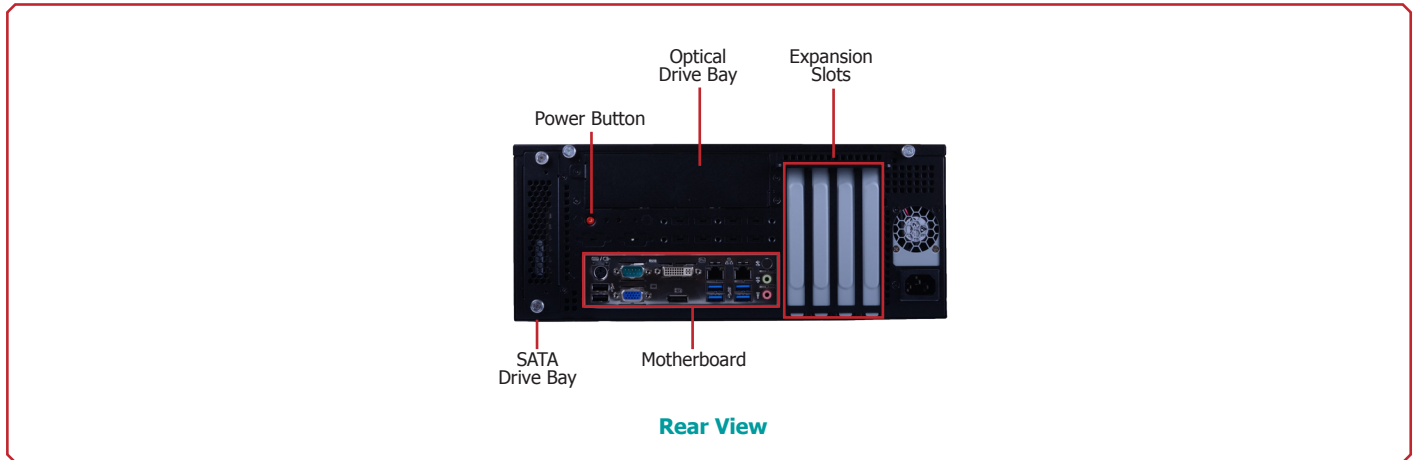


► Features

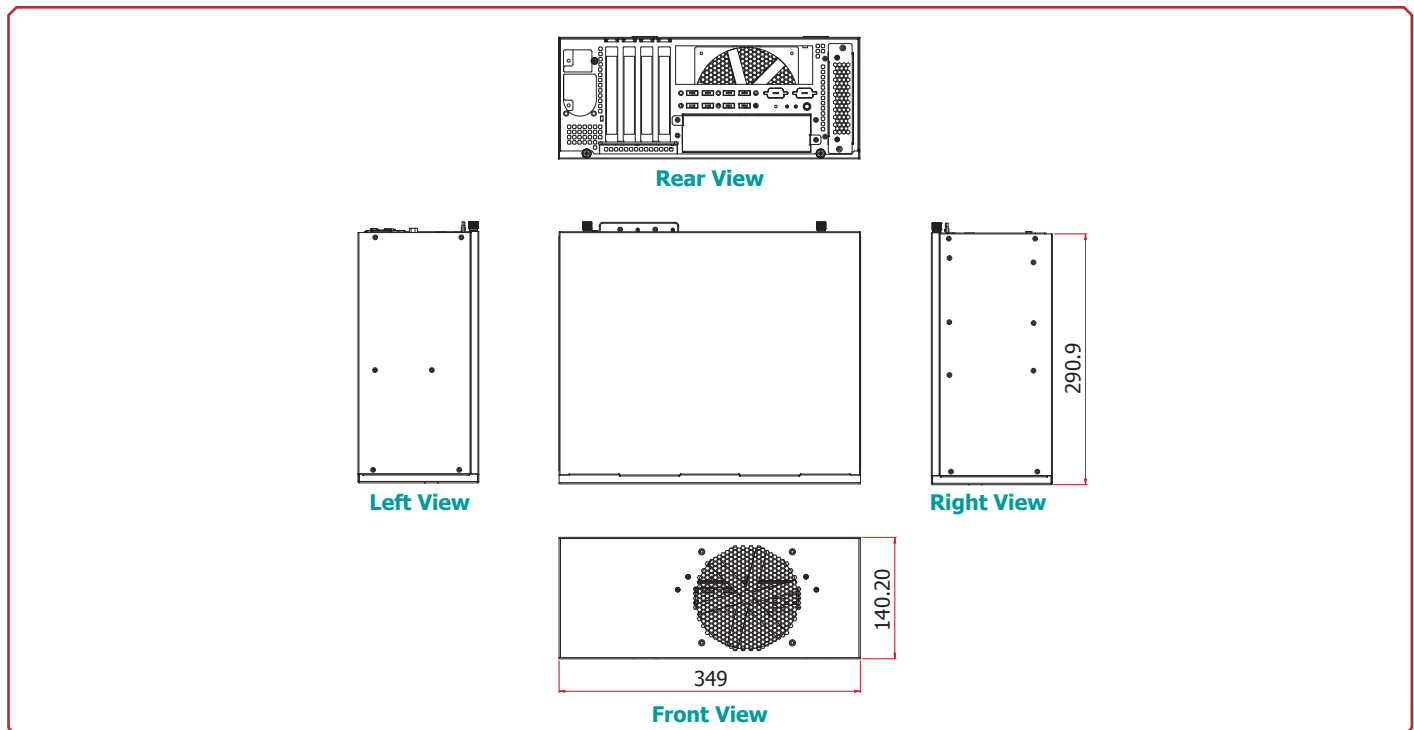
- 6th Gen Intel Core Desktop/Wallmount Box PC
- Up to 2x 3.5"/2.5" SATA drive bays
- 1x optical drive bay
- Triple displays: VGA + DVI-I (DVI-D signal) + DP++
- Supports 4 expansion slots: 2 PCIe x16, 2 PCIe x4



► Panel



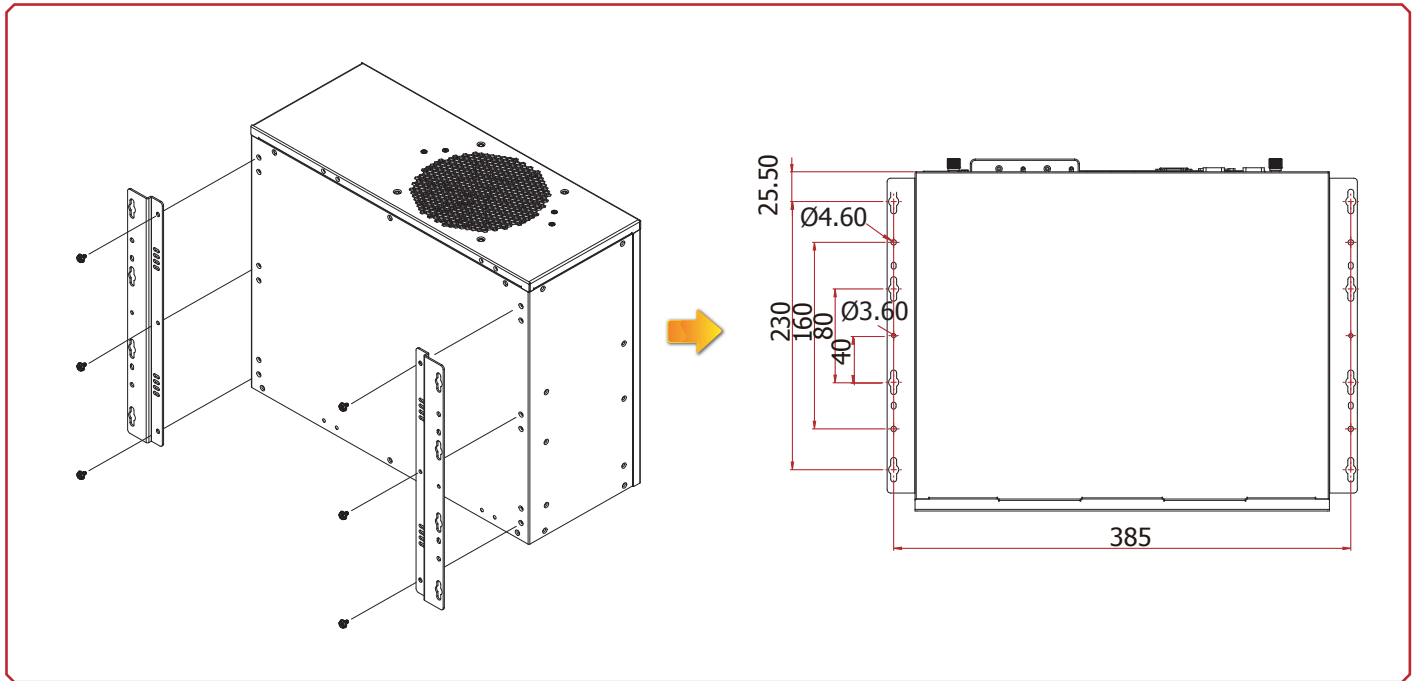
► Dimensions



Specifications

SYSTEM	Processor	6th Generation Intel® Core™ Processors, LGA 1151 Socket Intel® Xeon® Processor E3-1275 v5, Quad Core, 8M Cache, 3.6GHz (4.0GHz), 80W (ECC Supported) Intel® Xeon® Processor E3-1225 v5, Quad Core, 6M Cache, 3.3GHz (3.7GHz), 80W (ECC Supported) Intel® Xeon® Processor E3-1268L v5, Quad Core, 8M Cache, 2.4GHz (3.4GHz), 35W (ECC Supported) Intel® Core™ i7-6700 Processor, Quad Core, 8M Cache, 3.4GHz (4.0GHz), 65W Intel® Core™ i7-6700TE Processor, Quad Core, 8M Cache, 2.4GHz (3.4GHz), 35W Intel® Core™ i5-6500 Processor, Quad Core, 6M Cache, 3.2GHz (3.6GHz), 65W Intel® Core™ i5-6500TE Processor, Quad Core, 6M Cache, 2.3GHz (3.3GHz), 35W Intel® Core™ i3-6100 Processor, Dual Core, 4M Cache, 65W Intel® Core™ i3-6100TE Processor, Dual Core, 4M Cache, 2.7GHz, 35W (ECC Supported) Intel® Pentium® Processor G4400, Dual Core, 3M Cache, 3.3GHz, 65W Intel® Pentium® Processor G4400TE, Dual Core, 3M Cache, 2.9GHz, 35W Intel® Celeron® Processor G3900, Dual Core, 2M Cache, 2.8GHz, 65W Intel® Celeron® Processor G3900TE, Dual Core, 2M Cache, 2.6GHz, 35W	
	Chipset	SD331-C236: Intel® C236 Chipset	SD331-Q170: Intel® Q170 Chipset
	Memory	Four 288-pin ECC/non-ECC DIMM up to 64GB Dual Channel DDR4 1866/2133MHz	
	BIOS	Insyde SPI 128Mbit	
GRAPHICS	Controller	Intel® HD Gen 9 Graphics	
	Feature	OpenGL 5.0, DirectX 12, OpenCL 2.1 HW Decode: AVC/H.264, MPEG2, VC1/WMV9, JPEG/MJPEG, HEVC/H265, VP8, VP9 HW Encode: MPEG2, AVC/H264, JPEG, HEVC/H265, VP8, VP9	
	Display	1 x VGA 1 x DVI-I (DVI-D signal) 1 x DP++	VGA: resolution up to 1920x1200 @ 60Hz DVI-I: resolution up to 1920x1200 @ 60Hz DP++: resolution up to 4096x2304 @ 60Hz
	Triple Displays	VGA + DVI-I (DVI-D signal) + DP++	
STORAGE	External	1 or 2 x 3.5"/2.5" SATA 3.0 Drive Bays (1 x 3.5" SATA drive bay, by default) 1 x 5.25" Optical Drive Bay	
EXPANSION	Interface	2 x PCIe x16 (1 x16 or 2 x8 signal) (Gen 3) 2 x PCIe x4 (Gen 3)	
AUDIO	Audio Codec	Realtek ALC885-VD2-GR	
ETHERNET	Controller	1 x Intel® I210AT PCIe (10/100/1000Mbps) 1 x Intel® I219LM PCIe with iAMT11.0 (10/100/1000Mbps) (only Core i7/i5 supports iAMT)	
LED	Indicators	1 x Power LED 1 x HDD LED	
REAR I/O	Ethernet	2 x GbE (RJ-45)	
	Serial	1 x RS-232/422/485 (RS-232 w/ power) (DB-9)	
	USB	4 x USB 3.0 2 x USB 2.0	
	PS/2	1 x PS/2 (mini-DIN-6)	
	Display	1 x VGA 1 x DVI-I (DVI-D signal) 1 x DP++	
	Audio	1 x Line-out, 1 x Mic-in, 1 x Line-in (available upon request)	
	Buttons	1 x Power Button	
	COOLING	Fan	1 x System Fan
WATCHDOG TIMER	Output & Interval	System Reset, Programmable via Software from 1 to 255 Seconds	
POWER	Supply	Flex ATX 400W/250W	
OS SUPPORT		Windows 7 (/WES7) 32/64-bit Windows 8.1 (64-bit) Windows 10 IoT Enterprise 64-bit	Debian 8 (with VESA graphic driver) CentOS 7 (with VESA graphic driver) Ubuntu 15.10 (Intel graphic driver available)
MECHANISM	Construction	Sheet Metal	
	Mounting	Wall Mount	
	Dimensions (W x H x D)	349mm x 140.2mm x 290.9mm (13.74" x 5.52" x 11.45")	
	Weight	TBD	
ENVIRONMENT	Operating Temperature	0 to 45°C	
	Storage Temperature	0 to 60°C	
	Relative Humidity	5 to 95% RH (non-condensing)	
STANDARDS AND CERTIFICATIONS	Shock	Operating: 3G	Non-operating: 5G
	Vibration	Operating: Random 5~500Hz 0.5G	Non-operating: Sine 10~500Hz 1.5G
	Package Drop	ISTA Project 1A	

▶ Wall Mounting



► Ordering Information

Model Name	Part Number	Description
WM343-SD331	750-WM3433-000G	Wallmount System, SD331-C236, 2 LAN, 1 COM, 6 USB, 4 Expansion Slots, Flex ATX 400W, 2.5" + 2.5" Drive Bay, RoHS
WM343-SD331	750-WM3433-100G	Wallmount System, SD331-Q170, 2 LAN, 1 COM, 6 USB, 4 Expansion Slots, Flex ATX 250W, 3.5" + ODD Bay, RoHS

► Optional Items

Optional Items	Part Number	Description
CPU	TBD	CPU, LGA1151, Long-Term Support, RoHS
Memory	TBD	DIMM, DDR4 Module, 16GB, RoHS
	TBD	DIMM, DDR4 Module, 8GB, RoHS
	TBD	DIMM, DDR4 Module, 4GB, RoHS
2.5" HDD/SSD Support	531-510360-000G	One F3 x5 Copper Standoff, RoHS (note: one bay needs 4 pcs of standoff)
HDD	785-H351T0B	3.5" SATA HDD, 1TB, RoHS
	785-H35500G	3.5" SATA HDD, 500GB, RoHS
	785-H25500G	2.5" SATA HDD, 500GB, RoHS
	785-H25320G	2.5" SATA HDD, 320GB, RoHS
	785-S251TBG	2.5" SATA SSD, 1TB MLC, RoHS
	785-S25512G	2.5" SATA SSD, 512GB MLC, RoHS
	785-S25256G	2.5" SATA SSD, 256GB MLC, RoHS
	785-S25128G	2.5" SATA SSD, 128GB MLC, RoHS
	785-S25064G	2.5" SATA SSD, 64GB MLC, RoHS
Power Cord	785-PWRD	Power Cord, Standards (USA/EUR/CH), 1.8m, RoHS
Wall Mount	761-WM3410-000G	WM343/WM341 Wall Mount Kit, RoHS

► Packing List

• 1 WM343-SD331 System Unit
• 1 CPU cooler
• 1 SATA Data Cable (Length: 650mm)
• 4 HDD Screws
• 1 Quick Installation Guide
• 1 CD disk includes:
- Drivers / Manual
• 1 PSU Flex ATX 150W/250W/350W/400W/500W
• 1 System Fan