

MX100

Monitor Module with VGA/ DVI-D/ DP inputs

FEATURES

- 1x VGA, 1x DVI-D, 1x DisplayPort, 1x USB 2.0, 1x COM, 1x Audio
- 9 to 48VDC wide range power input
- -10°C to 60°C extended operating temperature



SPECIFICATIONS

I/O

VGA Input	1x VGA Input
DVI-D Input	1x DVI-D Input
DisplayPort Input	1x DisplayPort Input
USB 2.0 Input	1x USB 2.0 Input
COM Port Input	1x COM Port Input (Resistive Touch Only)
Audio Input	1x Audio Input

POWER

Power Supply Voltage	9~48VDC
Power Ignition Sensing	Power Ignition Management
Power Connector	3-pin Terminal Block
Power Adaptor	Optional AC/DC 12V/5A, 60W
Power Protection	OVP (Over Voltage Protection) OCP (Over Current Protection) Reverse Protection

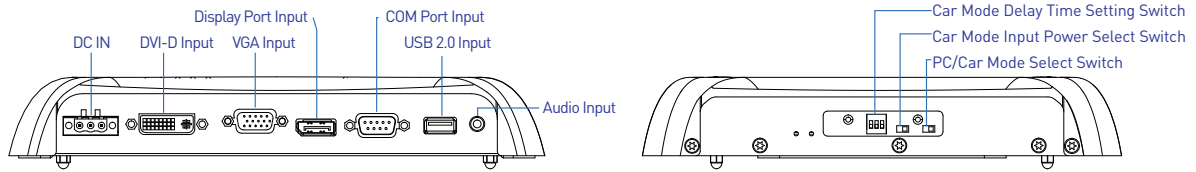
ENVIRONMENT

Operating Temp.	-10°C to 60°C
Storage Temp.	-20°C to 70°C
Relative Humidity	10%~80% (non-condensing)
Vibration	5 Grms, 5 - 500 Hz, 0.5 hr/axis
Shock	50G, half sine, 11ms
Standards / Certification	CE, FCC Class A

PHYSICAL

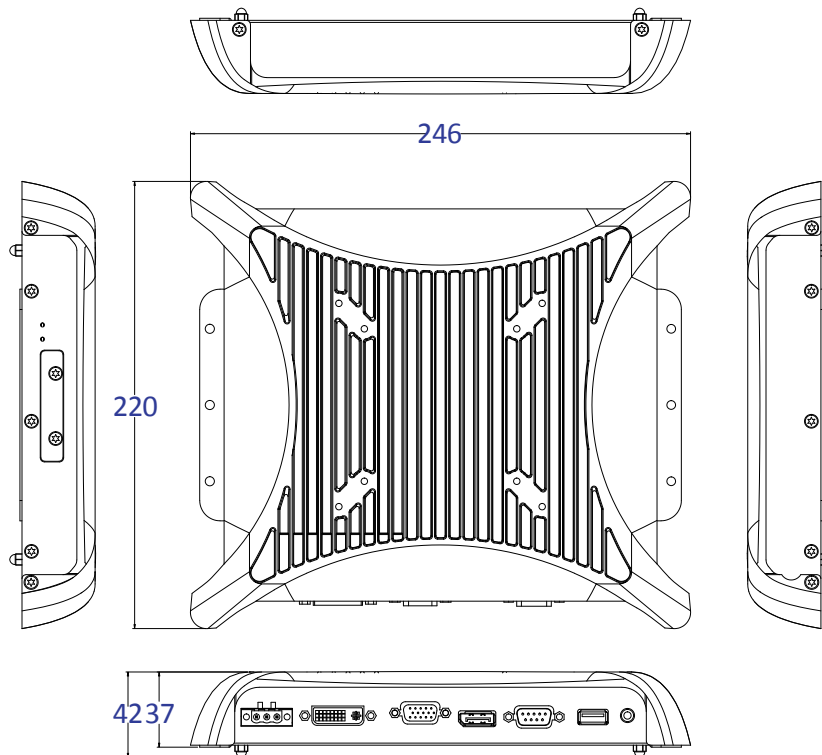
Construction	Extruded Aluminum with Heavy Duty Metal
Dimension	246 (W) x 220 (D) x 37 (H)mm
Weight	1.31 kg
Mounting	VESA Mounting Holes 75 x 75mm, 100 x 100mm

EXTERNAL I/O MECHANICAL LAYOUT



DIMENSION

Unit: mm



AVAILABLE MODELS

MODEL NO.	DESCRIPTION
MX100	Monitor Module with 1x VGA Input, 1x DVI-D Input, 1x DP Input, 1x USB 2.0 Input

PACKING LIST

- 1x MX100 Series Monitor Module
- 1x USB Cable
- 1x VGA Cable
- 1x Screw Pack

OPTIONAL ACCESSORIES

MODEL NO.	DESCRIPTION
1-E09A0600	Adapter AC/DC 12V 5A 60W with 3pin Terminal Block Plug 5.0mm Pitch
SFICBL022	Power Cord, 3-pin US Type, 180cm
1-TPCD00002	Power Cord, European Type, 180cm
1-TPCD00001	Power Cord, 3-pin UK Type, 180cm