

# PC200

## PC Module for Industrial Display System with Intel® Pentium® Processor N4200

### FEATURES

- Intel® Pentium® Processor N4200, Quad Core, 2MB Cache, 2.5 GHz
- 1x 204-pin DDR3L SODIMM. max up to 8GB
- 1x 2.5" SATA HDD bay, 1x mSATA, 1x CFast, 2x SIM socket
- 2x full-size mini PCIe for communication or expansion modules
- 2x LAN, 1x VGA, 1x DisplayPort
- 6x RS-232/422/485 (w/ 2x internal), 2x USB 3.0, 2x USB 2.0, Audio
- 8x DI + 8x DO with isolation
- 9 to 50VDC wide range power input
- -40°C to 70°C extended operating temperature



### SPECIFICATIONS

#### SYSTEM

Processor	Intel® Pentium® Processor N4200, Quad Core, 2MB Cache, 2.5 GHz
System Chipset	SoC integrated
LAN Chipset	GbE1 & GbE2: Intel® I210-AT (Support Wake-on-LAN and PXE)
Audio Codec	Realtek ALC888S
System Memory	1x 204-Pin DDR3L 1600/1867MHz SODIMM. Max. up to 8 GB
BIOS	AMI 64Mbit SPI BIOS
Watchdog	Software Programmable Supports 1~255 sec. System Reset

#### DISPLAY

VGA	1x VGA
DisplayPort	1x DisplayPort
Multiple Display	Triple Display

#### STORAGE

SSD/HDD	1x External 2.5" SATA HDD Bay
mSATA	1x mSATA (shared by 1x Mini PCI Express)
CompactFlash/CFast	1x CFast (shared by 1x mSATA)
SIM Socket	2x External SIM socket

#### EXPANSION

Mini PCI Express	1x Full-size Mini PCIe Socket with USIM Socket (PCIe + USB + SATA) 1x Full-size Mini PCIe Socket with USIM Socket (PCIe + USB)
------------------	---

#### I/O

COM	4x RS-232/422/485 2x RS-232/422/485 (internal)
USB	2x USB 3.0, 2x USB 2.0
LAN	2x RJ45
Audio	1x Mic-in, 1x Line-out

DIO	8 in / 8 out (Isolated)
Others	3x WiFi Antenna Holes 1x Power Switch, 1x AT/ATX Switch, 1x Remote Power On/Off

#### OPERATING SYSTEM

Windows	Windows 10
Linux	Linux kernel 4.X

#### POWER

Power Mode	AT, ATX
Power Supply Voltage	9~50VDC
Power Ignition Sensing	Power Ignition Management
Power Connector	3-pin Terminal Block
Power Adaptor	Optional AC/DC 12V/5A, 60W
Power Protection	OVP (Over Voltage Protection) OCP (Over Current Protection) Reverse Protection

#### ENVIRONMENT

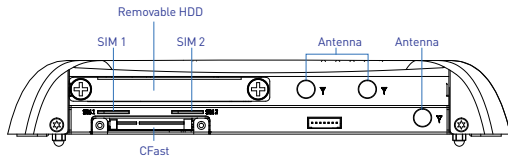
Operating Temp.	-40°C to 70°C
Storage Temp.	-40°C to 85°C
Relative Humidity	10% to 95% (non-condensing)
Vibration	With SSD: 5 Grms, 5 - 500 Hz, 0.5 hr/axis With HDD: 1 Grms, 5 - 500 Hz, 0.5 hr/axis
Shock	With SSD: 50G, half sine, 11ms
Standards / Certification	CE, FCC Class A

#### PHYSICAL

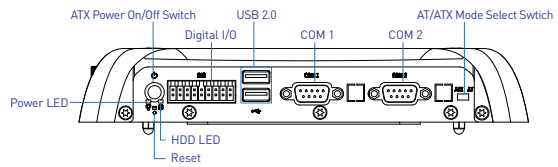
Construction	Extruded Aluminum with Heavy Duty Metal
Dimension	246 (W) x 220 (D) x 37(H) mm
Weight	1.71 kg
Mounting	VESA Mounting Holes 75 x 75mm, 100 x 100mm

## EXTERNAL I/O MECHANICAL LAYOUT

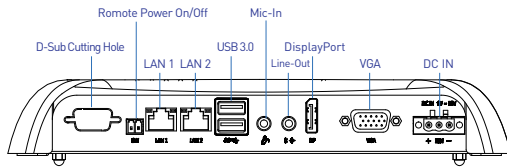
Front I/O



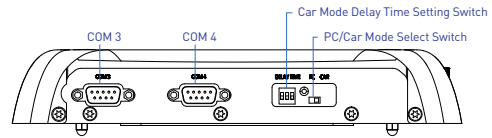
Left I/O



Rear I/O

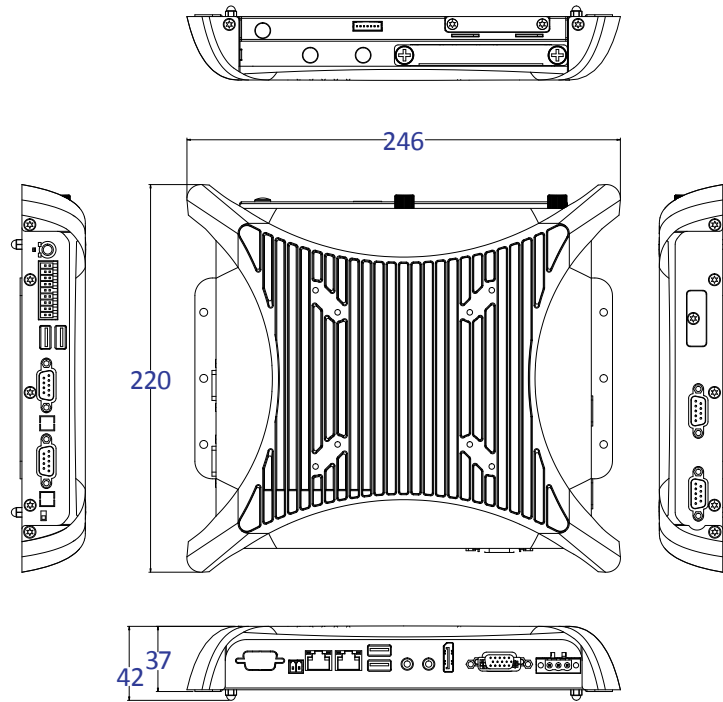


Right I/O



## DIMENSION

Unit: mm



### AVAILABLE MODELS

MODEL NO.	DESCRIPTION
PC200-N4200	PC Module for Industrial Display System with Intel Pentium Processor N4200

### OPTIONAL ACCESSORIES

MODEL NO.	DESCRIPTION
1-E09A06007	Adapter AC/DC 12V 5A 60W with 3pin Terminal Block Plug 5.0mm Pitch
SFICBL022	Power Cord, 3-pin US Type, 180cm
1-TPCD00002	Power Cord, European Type, 180cm
1-TPCD00001	Power Cord, 3-pin UK Type, 180cm

### PACKING LIST

- 1x PC200 Series PC Module
- 1x Utility DVD Driver
- 1x Screw Pack