

# VIO-110

10.4" SVGA Resistive / Capacitive Touch Display Module with 2x 5W Speaker

## FEATURES

- 10.4" TFT SVGA 4:3 LCD with Resistive 5-wire / Capacitive Touch
- -10°C to 60°C extended operating temperature
- Designed with Aluminum Die-Casting Front Frame
- IP65 Compliant Front Panel
- Two 5W Internal Speakers Built-in
- Multi-language OSD built-in



## SPECIFICATIONS

### DISPLAY

LCD Size	10.4" (4:3)
Max. Resolution	800 x 600 (SVGA)
Brightness (cd/m <sup>2</sup> )	400
Contrast Ratio	700:1
LCD Color	16.2M
Pixel Pitch (mm)	0.264 (H) x 0.264 (V)
Viewing Angle (H-V)	160 / 130
Backlight MTBF	50000 hrs (LED Backlight)

### TOUCH

Resistive 5-wire	VIO-110R Only
Projected Capacitive	VIO-110C Only

### I/O

Internal Speaker	AMP 5W + 5W
OSD	LCD On/Off, Auto, Menu, Up and Down Multi-language

### ENVIRONMENT

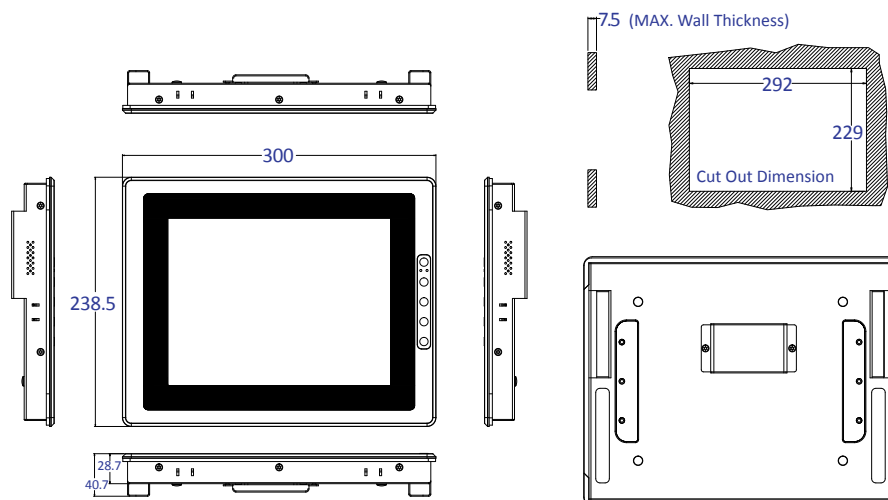
Operating Temp.	-10°C to 60°C
Storage Temp.	-20°C to 70°C
Relative Humidity	10%~80% (non-condensing)
IP Level	IP 65 Compliant Front Panel

### PHYSICAL

Front Panel Construction	Die-cast Flat Surface
Dimension	300 (W) x 238.5 (D) x 40.7 (H)mm
Weight	VIO-110R: 2.43kg VIO-110C: 2.36kg
Mounting	VESA Mounting Holes 75 x 75mm, 100 x 100mm

## DIMENSION

Unit: mm



## AVAILABLE MODELS

MODEL NO.	DESCRIPTION
VIO-110R	10.4" SVGA Resistive Touch Display Module with 2x 5W Speaker
VIO-110C	10.4" SVGA Capacitive Touch Display Module with 2x 5W Speaker

## PACKING LIST

- 1x VIO-110 Series Display Module
- 6x Panel Mount Kit