

# VIO-217

17" SXGA Resistive / Capacitive Touch Thin Frame Display Module with 2x 10W Speaker

## FEATURES

- 17" TFT XGA 4:3 LCD with Resistive 5-wire / Capacitive Touch
- -10°C to 60°C extended operating temperature
- Designed with Aluminum Die-Casting Front Frame
- IP65 Compliant Front Panel
- Two 10W Internal Speakers Built-in
- Multi-language OSD built-in



## SPECIFICATIONS

### DISPLAY

LCD Size	17" (4:3)
Max. Resolution	1280 x 1024 (SXGA)
Brightness (cd/m <sup>2</sup> )	350
Contrast Ratio	800:1
LCD Color	16.7M
Pixel Pitch (mm)	0.264 (H) x 0.264 (V)
Viewing Angle (H-V)	170 / 160
Backlight MTBF	50000 hrs (LED Backlight)

### TOUCH

Resistive 5-wire	VIO-217R Only
Projected Capacitive	VIO-217C Only

### I/O

Internal Speaker	AMP 10W + 10W
OSD	LCD On/Off, Auto, Menu, Up and Down Multi-language

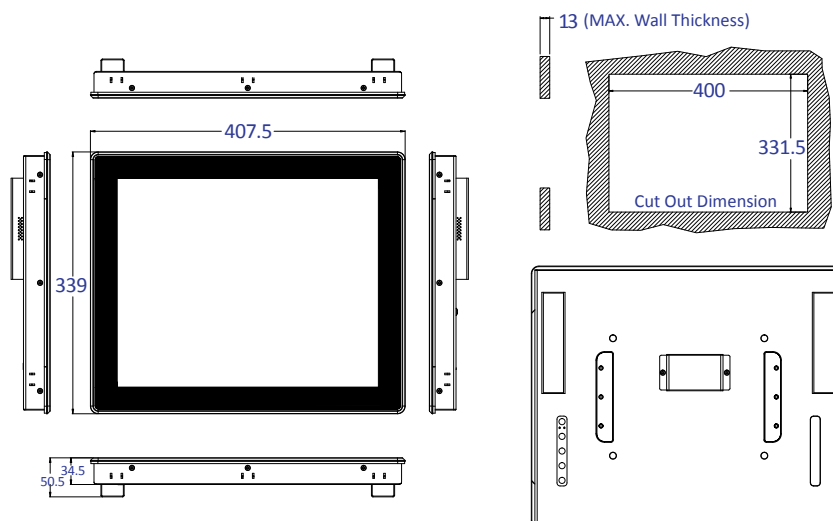
### ENVIRONMENT

Operating Temp.	-10°C to 60°C
Storage Temp.	-20°C to 70°C
Relative Humidity	10%~80% (non-condensing)
IP Level	IP 65 Compliant Front Panel

### PHYSICAL

Front Panel Construction	Die-cast Flat Surface
Dimension	407.5 (W) x 339 (D) x 50.5 (H)mm
Weight	VIO-217R: 5.07 kg VIO-217C: 4.99 kg
Mounting	VESA Mounting Holes 75 x 75mm, 100 x 100mm

## DIMENSION



## AVAILABLE MODELS

MODEL NO.	DESCRIPTION
VIO-217R	17" SXGA Resistive Touch Thin Frame Display Module with 2x 10W Speaker
VIO-217C	17" SXGA Capacitive Touch Thin Frame Display Module with 2x 10W Speaker

## PACKING LIST

- 1x VIO-217 Series Display Module
- 10x Panel Mount Kit