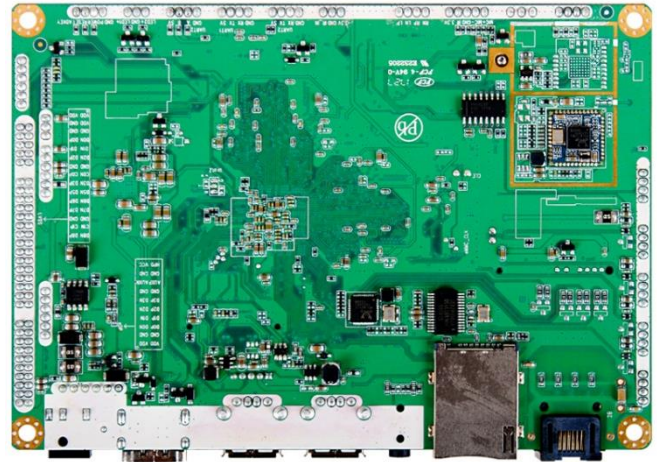
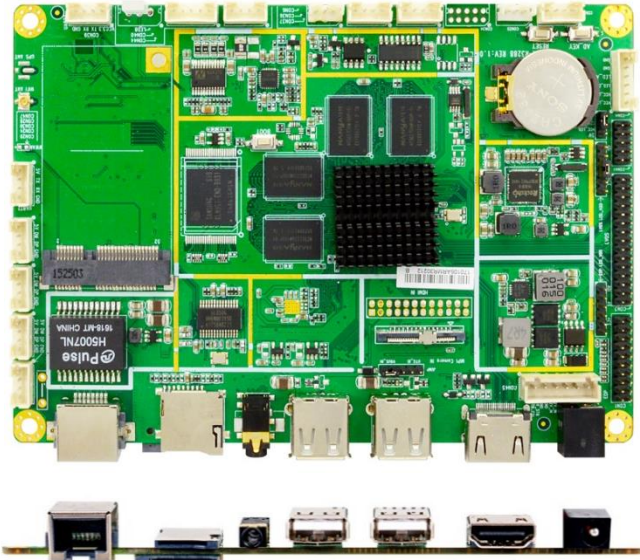


## JARMR3288W Series

Rockchip® ARM Cortex A17 RK3288W, 1 \* Mini PCIe,  
HDMI/eDP/LVDS/MIPI, Bluetooth, WIFI, Android 5.1

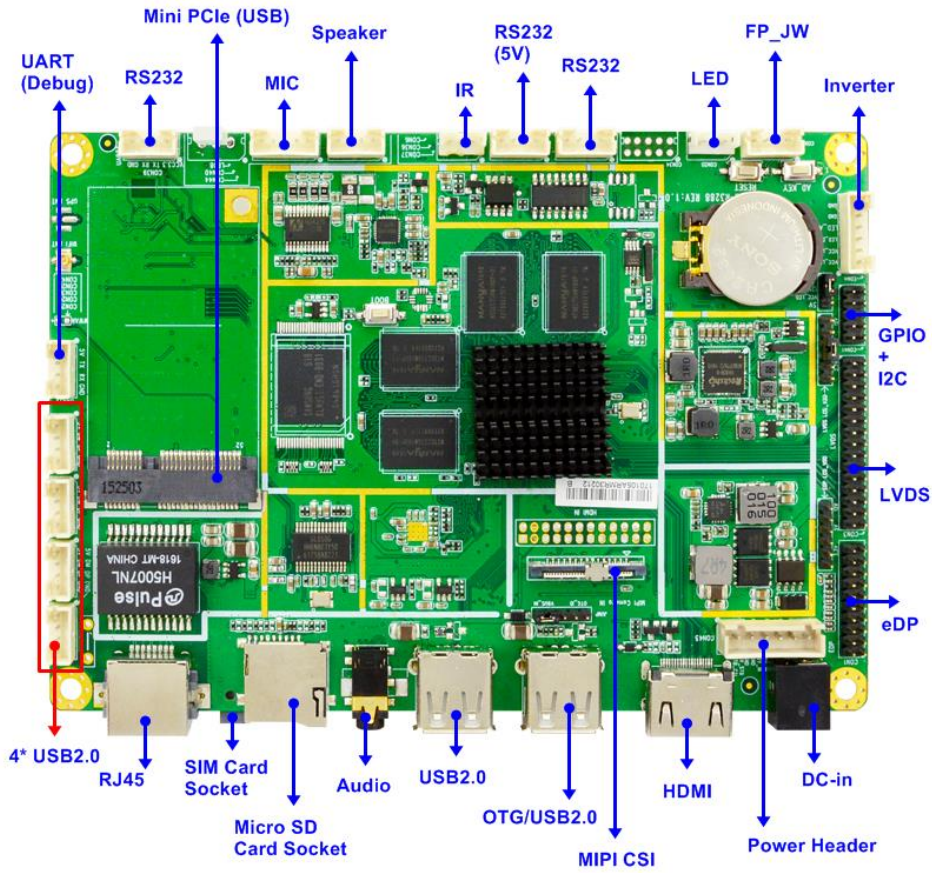


### Features

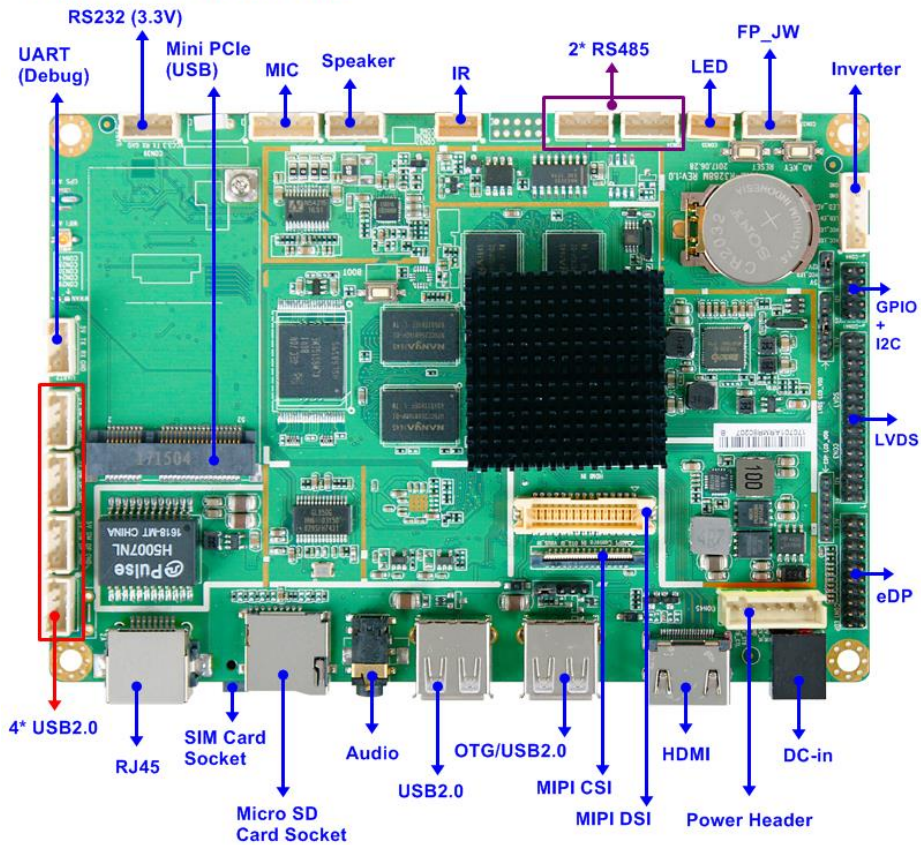
1. Rockchip® ARM Cortex A17 RK3288W Quad-core 1.8GHz
2. DRAM : 2GB DDR3L 1333MHz on-board (Max. 4GB)
3. Flash ROM : 8GB (Max. 64GB)
4. 1 \* RJ45, 5 \* USB2.0, 1\* OTG (Option USB2.0), 4 \* COM,1 \* GPIO, 1 \* MIPI CSI, 1 \* Micro SD Card socket, 1 \* SIM Card holder
5. 1 \* HDMI (1920 x 1080@60Hz)
6. 1 \* 24 bits Dual CH LVDS (1920 x 1200@60Hz)
7. 1 \* eDP (2560 x 1200@60Hz)
8. 1 \* MIPI DSI (1920 x 1080@60Hz, JARMR3288WM-2N only)
9. Support Android 5.1, Linux 4.4
10. 3.5" Form Factor (148mm \* 102mm)
11. For IOT & Equipment : Smart Meters, Residential Access Control, Agricultural Automation Equipment, Lottery machine, vending machine, coffee machine...etc.

# Internal Diagram

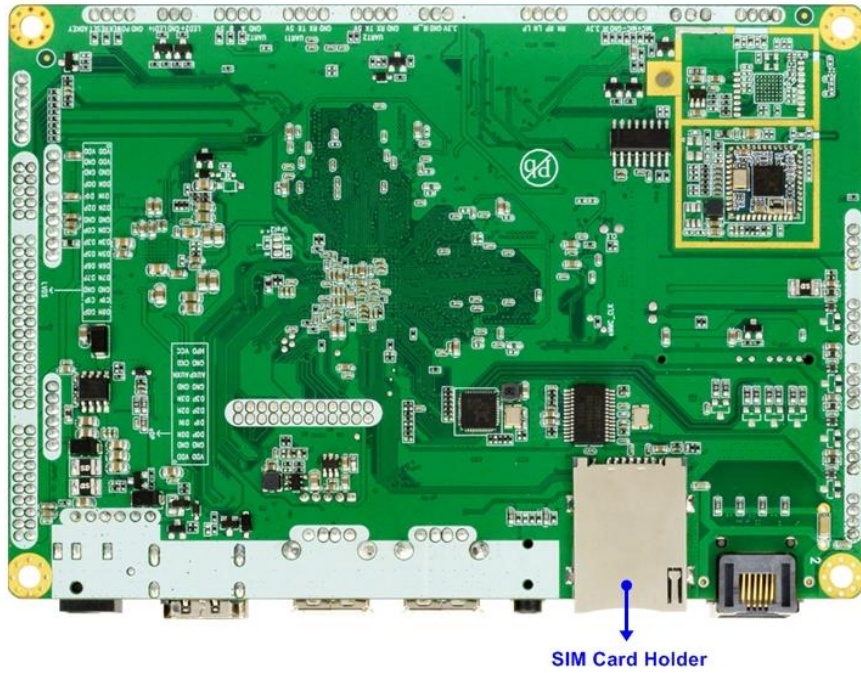
## JARMR3288W-2N



## JARMR3288WM-2N







## Specifications

### Model / Part Number

Model	- JARMR3288W-2N	- JARMR3288WM-2N
Part Number	- JARMR3288W-2N	- JARMR3288WM-2N

### Form Factor

Dimensions	- 3.5" SBC (148 * 102mm, 5.83" * 4.01")
------------	---

### Processor System

Processor/CPU	- Rockchip® ARM Cortex A17 RK3288W Quad-core 1.8GHz SoC Processor
GPU	- Mali-T764 GPU, support AFBC

### Memory

DRAM	- 2GB DDR3L 1333MHz on-board (Max. 4GB)
FLASH ROM	- 8GB (Max. 64GB)

### Ethernet

Ethernet	- 1* Realtek RTL8211E-VB /10/100/1000Mbps
Wifi	- RTL8723BS chip_802.11 b/g/n, 2.4G & BT 4.0
3G / 4G / LTE	- SIM Card holder

### Graphics

HDMI	- 1* HDMI (1920 x 1080@60Hz)	
LVDS	- 1* 24 bits Dual CH LVDS (1920 x 1200@60Hz)	
eDP	- 1* eDP (2560 x 1600@60Hz)	
MIPI	- N/A	- 1* MIPI (1920 x 1080 @60Hz)
Multi Display	- Dual display	

### Expansion Slot

Mini PCIe	- 1 (USB interface)	
Micro SD Socket	- 1 (Micro SD Socket, Max 64G)	
SIM Card Holder	- 1	
<b>Special Features</b>		
IR Support	- N/A	
OS Support	- Android 5.1, Linux 4.4	
Watchdog Timer	- 0~255 Sec./Min. programmable	
Application	- IOT & Equipment : Smart Meters, Residential Access Control, Agricultural Automation Equipment, Lottery machine, vending machine, coffee machine...etc.	
<b>I/O Port</b>		
External I/O	- 1* HDMI - 1* RJ45 - 1* Audio - 2* USB2.0 (USB2 Support OTG) - 1* DC-in	- 1* HDMI - 1* RJ45 - 1* Audio - 2* USB2.0 (USB2 Support OTG) - 1* DC-in
Internal I/O	- 1* eDP - 1* LVDS - 1* MIPI CSI (For camera) - 4* USB2.0 - 4* COM (3* RS232 + 1* UART (for Debug)) - 1* GPIO	- 1* eDP - 1* LVDS - 1* MIPI DSI - 1* MIPI CSI (For camera) - 4* USB2.0 - 4* COM (2* RS485 + 1* RS232 + 1* UART (for Debug)) - 1* GPIO
<b>Power Requirements</b>		
Input PWR	12V DC-in - AT : Directly PWR on as Power input ready - ATX : Press Button to PWR on after Power input ready	
<b>Certifications</b>		
Certifications	- RoHS, CE, FCC, CE-LVD	
<b>Environment</b>		
Temperature	- Operating: -10°C ~ 60°C with 0.7 m/s air flow - Storage: -20°C ~ 70°C	
<b>Warranty</b>		
Warranty	- 1 Year Limited Warranty	

\*Specifications subject to change without notice, not responsible for typographical errors. Does not include HDD or OS.

## Optional Accessories

Part Number	Description
	JARMR3288W-2N / JARMR3288WM-2N
	JARMR3288W-2N M/B User's Manual