

Apacer

The Most **Reliable**
Storage For Industries



mPDM Plus-M



mPDM Plus-M

Overview

Apacer's mPDM+ (mini PCIe Disk Module Plus) SSD offers a breakthrough in non-volatile memory storage. Formed as a mini PCI-Express card, this mPDM+ can fit in various types of embedded platforms, such as workstation, thin computing devices and high-end heavy duty servers where spaces are concerned. Regarding data transfer rate, mPDM+ delivers ideal data read/write performance. Apacer mPDM+ provides one-lane PCI-Express 2.0 host interface, and is compatible with 5.0 Gbps maximum transfer rate. Compatibility wise, this mini PCIe SSD is not only fully compliant with PCI Express Specification Rev.2.0 and Electromechanical Rev.2.0, but also supports NCQ commands and IDE/AHCI operational modes.



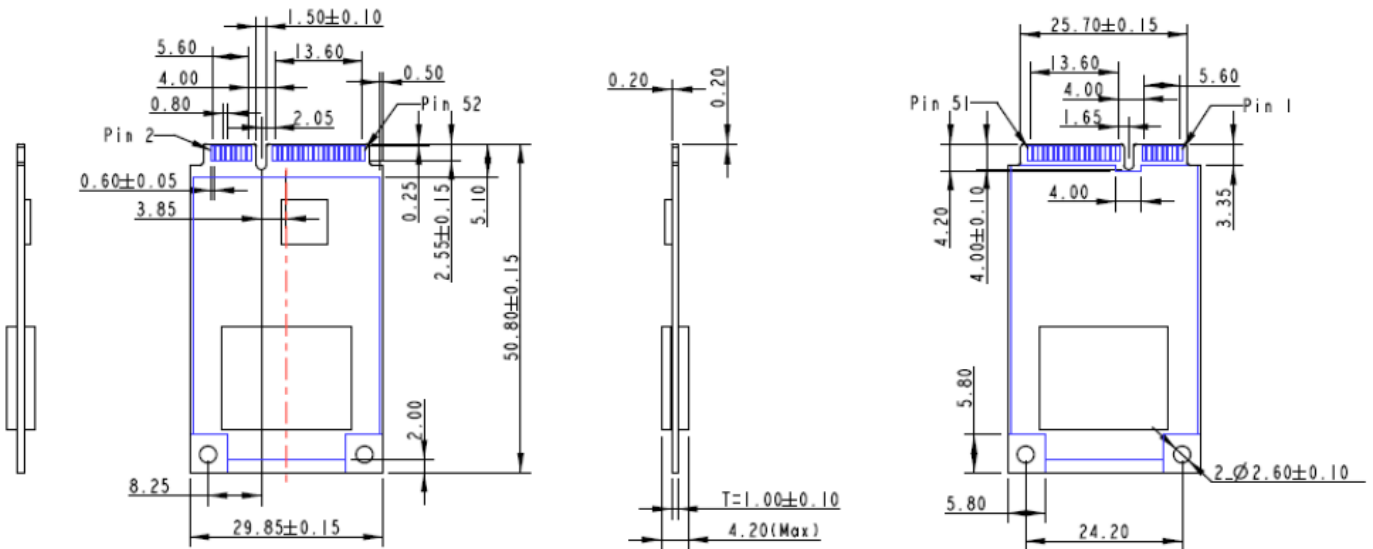
Feature

- Compliant with PCIe 2.0 standard
- Ultra-small form factor (50.8 x 29.8 mm)
- Advanced Wear-Leveling and Block Management
- Built-in ATA Secure Erase and S.M.A.R.T. functions
- AHCI interface support
- NCQ command support

Specifications

Model	mPDM Plus-M
Interface	5Gb/sec, PCI Express Gen 2x1
Connector	One lane mini PCI Express
Form Factor	Mini PCIe
NAND Flash Type	MLC
Capacity	8GB~256GB
Sustained Read Performance (MB/sec)	Up to 390
Sustained Write Performance (MB/sec)	Up to 315
ECC Engine	Built-in 72-bit per 1K bytes BCH ECC
Standard Operating Temperature (°C)	0 ~ + 70
Storage Temperature (°C)	-40 ~ +85
Shock	Operation: 50G, 11ms Non-operation: 1500G, 0.5ms
Vibration	Operation: 7.69 Grms, 20~2000 Hz/random (compliant with MIL-STD-810G) Non-operation: 15 G, 10 ~ 2000 Hz/sine
Operating Voltage	3.3 V ± 5%
Power Consumption	Active mode: 1,170 mA, Idle mode: 455 mA
Dimension (L x W x H)	50.8x 29.85 x 4.2 mm
MTBF (hours)	>1,000,000

Mechanical Specification



Unit: mm

For more information, contact your Apacer representative

Global Presence

Taiwan (Headquarters)
Apacer Technology Inc.
Tel: +886-2-2267-8000
Fax: +886-2-2267-2261

Europe
Apacer Technology B.V.
Tel: +31-40-267-0000
Fax: +31-40-290-0686

U.S.A.
Apacer Memory America, Inc.
Tel: +1-408-518-8699
Fax: 1-510-249-9551

China
Apacer Electronic(Shanghai)
Co., Ltd.
Tel: +86-21-6228-9939

Japan
Apacer Technology Corp.
Tel: +81-3-5419-2668
Fax: +81-3-5419-0018

India
Apacer Technologies Pvt. Ltd.
Tel: +91-80-41529061~3
Fax: +91-80-41700215