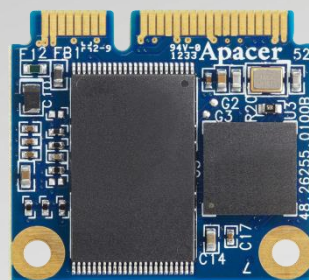


Apacer

The Most **Reliable**
Storage For Industries



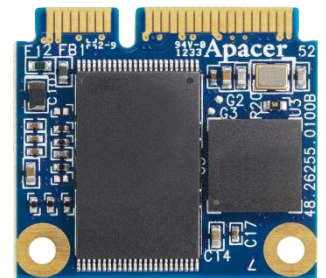
mSATA mini H1



mSATA mini H1

Overview

Continuing the market heat of its reliable industrial SSDs, Apacer Technology has recently launched a brand new ultra slim industrial SATA3.0 SSDs: the mSATA mini H1, compliant with the MO-300B standard. This model made by SLC flash extremely competitive for its ultra slim appearance, high speed, high stability, and wide temperature operation for industrial uses. To enhance data security, Apacer Technology has improved the ECC (error correcting code) capability to 72bit/1K bytes for mSATA mini H1 to significantly upgrade data security and stability. To fulfill the industrial demand for longer durability and energy saving, Apacer mSATA mini H1 support the DEVSLP (Device Sleep) protocol to ensure energy is effectively used in every minute even after entering low-power condition in standby mode.



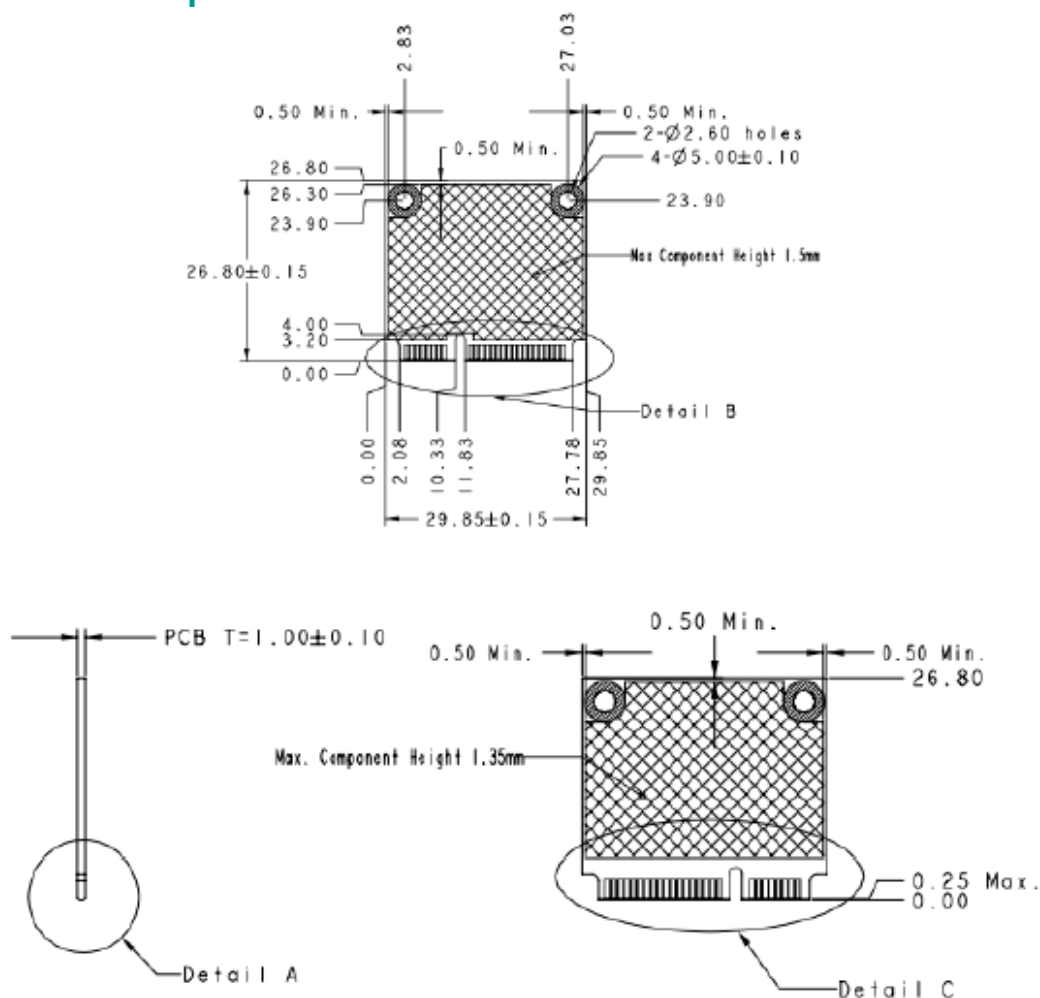
Feature

- mSATA-mini form factor(26.8 x 29.85 mm)
- Compliant with JEDEC MO-300 standard
- Global wear-leveling and block management
- Built-in ATA Secure Erase and S.M.A.R.T. Functions
- TRIM support
- DEVSLP Support (Optional)

Specifications

Model	mSATA mini H1
Interface	SATA 3.0 (6Gb/s)
Connector	52-pin mSATA-mini
Form Factor	MO-300B
NAND Flash Type	SLC
Capacity	1GB~32GB
External DRAM	No
Sustained Read Performance (MB/sec)	Up to 65
Sustained Write Performance (MB/sec)	Up to 50
ECC Engine	Built-in 40-bit per 1K bytes BCH ECC
Standard Operating Temperature (°C)	0 ~ + 70
Extended Operating Temperature (°C)	-40~ + 85
Storage Temperature (°C)	-40~ + 100
Shock	Operation: 50G, 11ms Non-operation: 1500G, 0.5ms
Vibration	Operation: 7.69 Grms, 20~2000 Hz/random (compliant with MIL-STD-810G) Non-operation: 4.02 Grms, 15 ~ 2000 Hz/sine (compliant with MIL-STD-810G)
Operating Voltage	3.3V ± 5%
Power Consumption	Active mode: 330 mA & Idle mode: 100 mA
Dimension (L x W x H)	26.8 x 29.85 x 3.85mm
MTBF (hours)	>2,000,000

Mechanical Specification



Unit: mm

For more information, contact your Apacer representative

Global Presence

Taiwan (Headquarters)
Apacer Technology Inc.
Tel: +886-2-2267-8000
Fax: +886-2-2267-2261

Europe
Apacer Technology B.V.
Tel: +31-40-267-0000
Fax: +31-40-290-0686

U.S.A.
Apacer Memory America, Inc.
Tel: +1-408-518-8699
Fax: 1-510-249-9551

China
Apacer Electronic(Shanghai)
Co., Ltd.
Tel: +86-21-6228-9939

Japan
Apacer Technology Corp.
Tel: +81-3-5419-2668
Fax: +81-3-5419-0018

India
Apacer Technologies Pvt. Ltd.
Tel: +91-80-41529061~3
Fax: +91-80-41700215