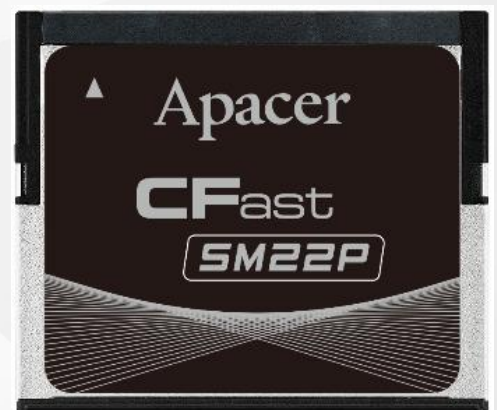


Apacer

The Most **Reliable**
Storage For Industries

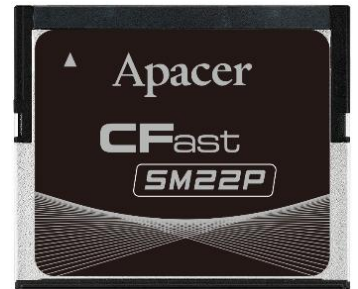
SM22P-CFast



SM22P-CFast

Overview

Featuring CorePower technology, Apacer SM22P-CFast has been proved capable of protecting data from sudden power loss after conducting comprehensive testing. With firmware routines and the design of intelligent hardware architecture, SM22P-CFast ensures that all data can be stored on the NAND flash in the event of power outage. CFast™ is a crossover between the CompactFlash™ (CF) card form factor and the Serial ATA (SATA) interface. Therefore, it can replace both roles of HDDs and CompactFlash™ cards in applications requiring small form factors and harsh environmental conditions. By implementing a backup power supply that lengthens the emergent hold-on time for the controller to move all the cached data into NAND flash, the internal controlling unit of the SM22P-CFast 2.0 is engineered with DRAM for enhanced random performance without any concern over data integrity.



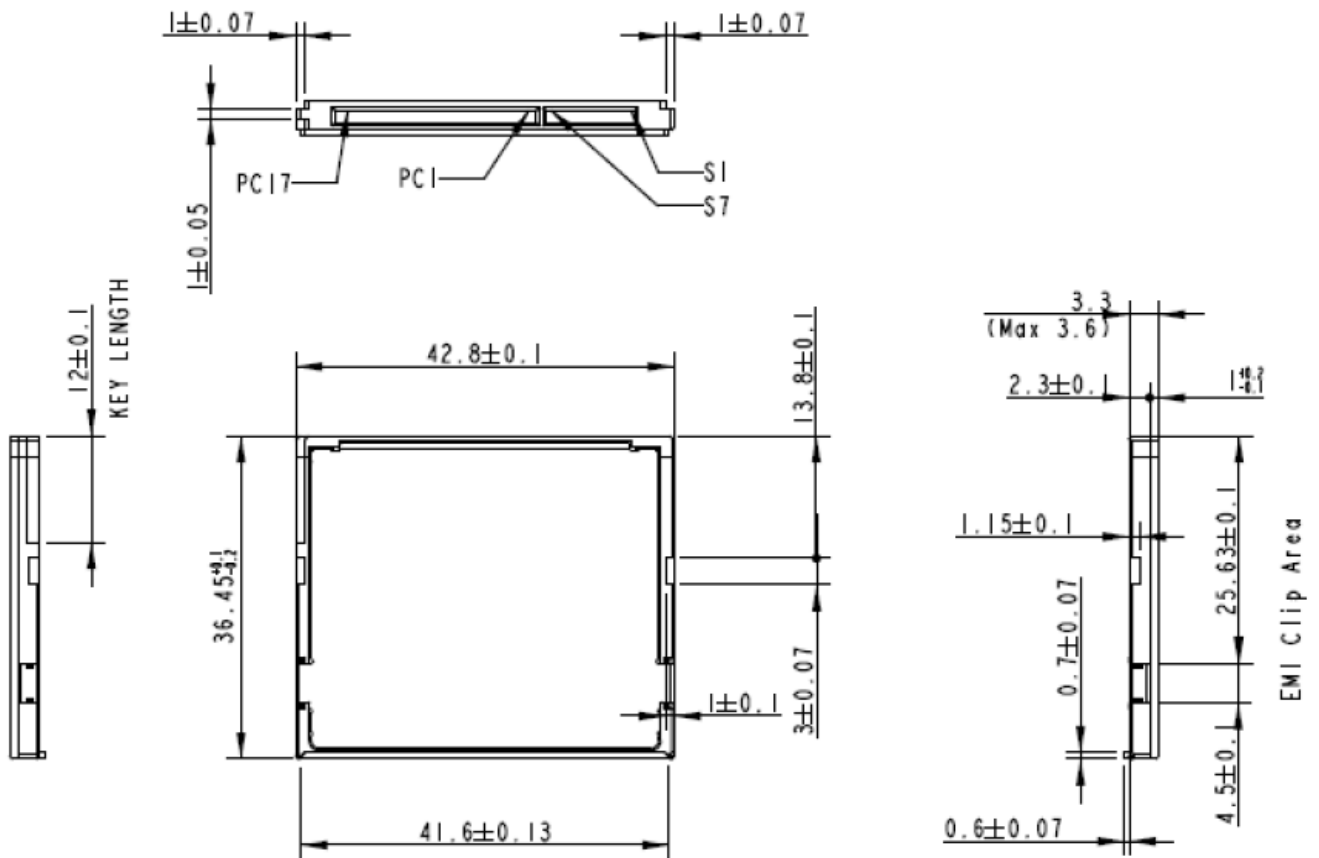
Feature

- Advanced 4K Page Mapping Technology
- Apacer CorePower Technology
- Built in hardware ECC
- Wide Temperature support
- Built-in ATA Secure Erase and S.M.A.R.T. Functions
- DEVSLP Support (Optional)
- Higher IOPS (with DRAM)

Specifications

Model	SM22P-CFast
Interface	SATA 3.0 (6Gb/s)
Connector	(7+17) pin female
Form Factor	CFast
NAND Flash Type	MLC
Capacity	8GB~128GB
External DRAM	Yes
Sustained Read Performance (MB/sec)	Up to 475
Sustained Write Performance (MB/sec)	Up to 85
ECC Engine	Built-in 72-bit per 1K bytes BCH ECC
IOPS (4K Random Write)	16K
Standard Operating Temperature (°C)	0 ~ + 70
Storage Temperature (°C)	-40 ~ + 100
Thermal Sensor	Optional
Shock	Operation: 50G, 11ms Non-operation: 1500G, 0.5ms
Vibration	Operation: 7.69 Grms, 20~2000 Hz/random (compliant with MIL-STD-810G) Non-operation: 15 G, 10 ~ 2000 Hz/sine
Operating Voltage	3.3V ± 5% (3.135-3.465V)
Power Consumption	Active mode: 610 mA / Idle mode: 140 mA
Dimension (L x W x H)	36.4 mm x 42.8 mm x 3.6mm
MTBF (hours)	>1,000,000

Mechanical Specification



Unit: mm

For more information,
contact your Apacer representative

Global Presence

Taiwan (Headquarters)
Apacer Technology Inc.
Tel: +886-2-2267-8000
Fax: +886-2-2267-2261

Europe
Apacer Technology B.V.
Tel: +31-40-267-0000
Fax: +31-40-290-0686

U.S.A.
Apacer Memory America, Inc.
Tel: +1-408-518-8699
Fax: 1-510-249-9551

China
Apacer Electronic(Shanghai)
Co., Ltd.
Tel: +86-21-6228-9939

Japan
Apacer Technology Corp.
Tel: +81-3-5419-2668
Fax: +81-3-5419-0018

India
Apacer Technologies Pvt. Ltd.
Tel: +91-80-41529061~3
Fax: +91-80-41700215