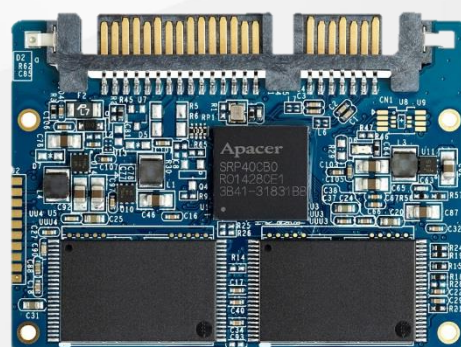


## The Most **Reliable** Storage For Industries

SM230-297



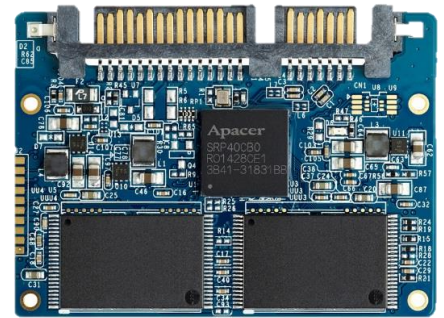
## SM230-297

### Overview

Apacer SM230-297 is a well-balanced solid-state drive (SSD) with compact form factor (JEDEC MO-297) and great performance. With the SATA 6.0 Gbps interface, the mSATA SSD is able to deliver exceptional read/write speed, making it the ideal companion for heavy-loading embedded or server operations with space constraints for host computing systems.

In regard of reliability, the drive comes with various implementations including powerful hardware ECC engine, power saving modes, wear leveling, flash block management, S.M.A.R.T., TRIM, and power failure management.

Last but not the least, with Advanced Encryption Standard (AES) and Trusted Computing Group (TCG) Opal support, SM230-297 ensures data security and provides users with a peace of mind knowing their data is safeguarded against unauthorized use at all times.



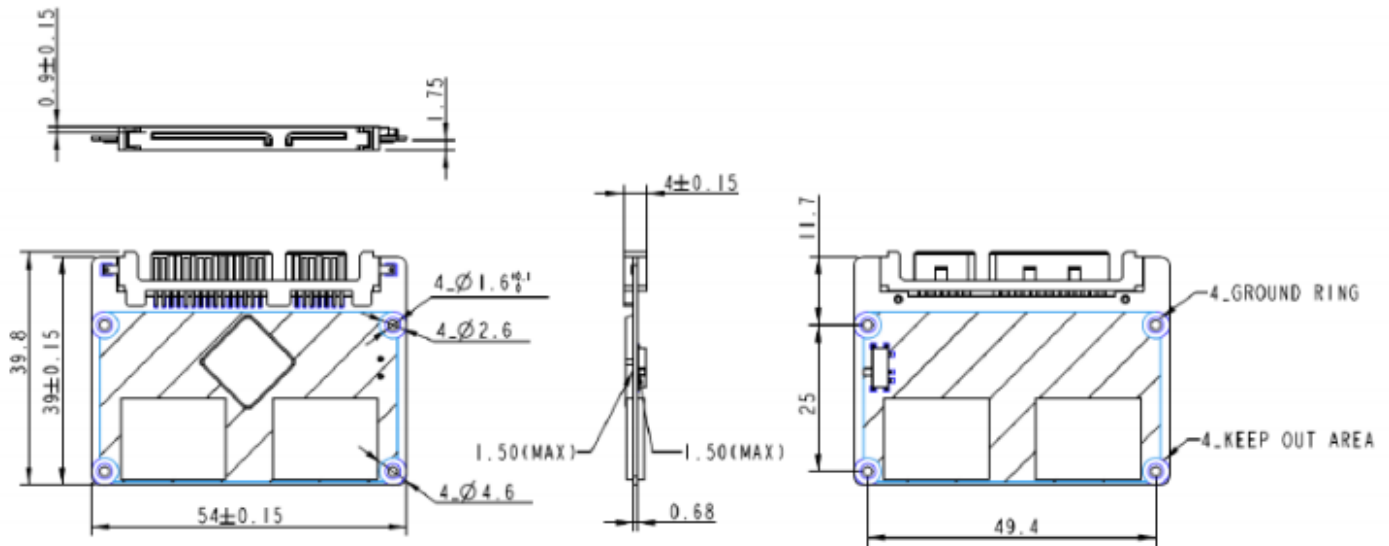
### Feature

- Built-in hardware ECC
- Global Wear Leveling
- Flash bad-block management
- Flash Translation Layer: Page Mapping
- S.M.A.R.T.
- Power Failure Management
- ATA Secure Erase
- TRIM command support
- Support TCG Opal 2.0/AES 256-bit encryption

## Specifications

<b>Model</b>	SM230-297
<b>Interface</b>	SATA 3.0 (6Gb/s)
<b>Connector</b>	(7+15) pin male
<b>Form Factor</b>	JEDEC MO-297
<b>NAND Flash Type</b>	MLC
<b>Capacity</b>	32GB~512GB
<b>External DRAM</b>	No
<b>Sustained Read Performance (MB/sec)</b>	Up to 560
<b>Sustained Write Performance (MB/sec)</b>	Up to 495
<b>ECC Engine</b>	Built-in 40-bit per 1K bytes BCH ECC
<b>IOPS (4K Random Write)</b>	57K
<b>Standard Operating Temperature ( °C )</b>	0 ~ + 70
<b>Extended Operating Temperature ( °C )</b>	-40 ~ + 85
<b>Storage Temperature ( °C )</b>	-40 ~ + 100
<b>Thermal Sensor</b>	Optional
<b>Shock</b>	Operation: 50G, 11ms Non-operation: 1500G, 0.5ms
<b>Vibration</b>	Operation: 7.69 Grms, 20~2000 Hz/random (compliant with MIL-STD-810G) Non-operation: 4.02 Grms, 15 ~ 2000 Hz/sine (compliant with MIL-STD-810G)
<b>Operating Voltage</b>	5.0 V ± 5%
<b>Power Consumption</b>	Active mode: 620 mA / Idle mode: 90 mA
<b>Dimension (L x W x H )</b>	Without housing: 54 x 39.8 x 4 (mm)
<b>MTBF (hours)</b>	>1,000,000

## Mechanical Specification



Unit: mm

**For more information,  
contact your Apacer representative**

### Global Presence

Taiwan (Headquarters)  
Apacer Technology Inc.  
Tel: +886-2-2267-8000  
Fax: +886-2-2267-2261

Europe  
Apacer Technology B.V.  
Tel: +31-40-267-0000  
Fax: +31-40-290-0686

U.S.A.  
Apacer Memory America, Inc.  
Tel: +1-408-518-8699  
Fax: 1-510-249-9551

China  
Apacer Electronic(Shanghai)  
Co., Ltd.  
Tel: +86-21-6228-9939

Japan  
Apacer Technology Corp.  
Tel: +81-3-5419-2668  
Fax: +81-3-5419-0018

India  
Apacer Technologies Pvt. Ltd.  
Tel: +91-80-41529061~3  
Fax: +91-80-41700215