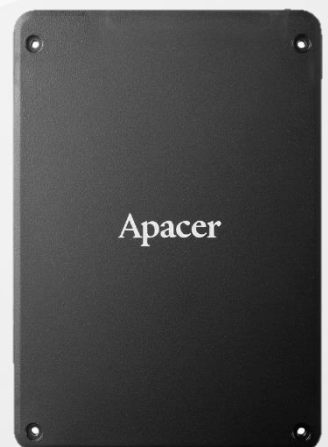


# Apacer

The Most **Reliable**  
Storage For Industries

**SM310-25**



## SM310-25

### Overview

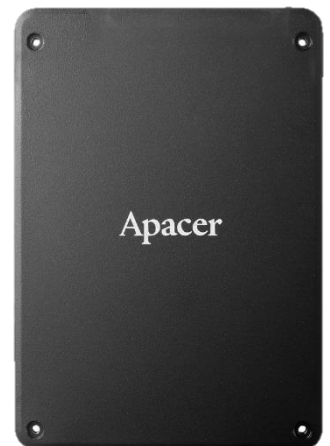
Apacer SM310-25 (2.5 inch) Embedded Solid State Drive is a speedy and reliable companion for industrial PC and laptops. Designed in SATA 6.0 Gb/s interface, the drive can deliver outstanding performance up to 530 MB/s sustained transfer rate, highly suitable to serve as operating system boot drive or storage media of important data. With its compliance with the latest SATA specification, this cutting edge device supports power management, which greatly saves in power consumption, making it more environmental and economical than traditional hard disk drives.

Regarding data reliability, the controller unit of SM310-25 is built with a powerful ECC engine in the device correcting up to 72bit per 1KB data. For better I/O performance, the controller unit comes with an external DDR3 cache to strengthen the IOPS (Input Output Per Second) of the device, proving to be the ideal companion for PC and laptop users.

Last but not the least, with Advanced Encryption Standard (AES) and Trusted Computing Group (TCG) Opal support, SM310-25 ensures data security and provides users with a peace of mind knowing their data is safeguarded against unauthorized use at all times.

### Feature

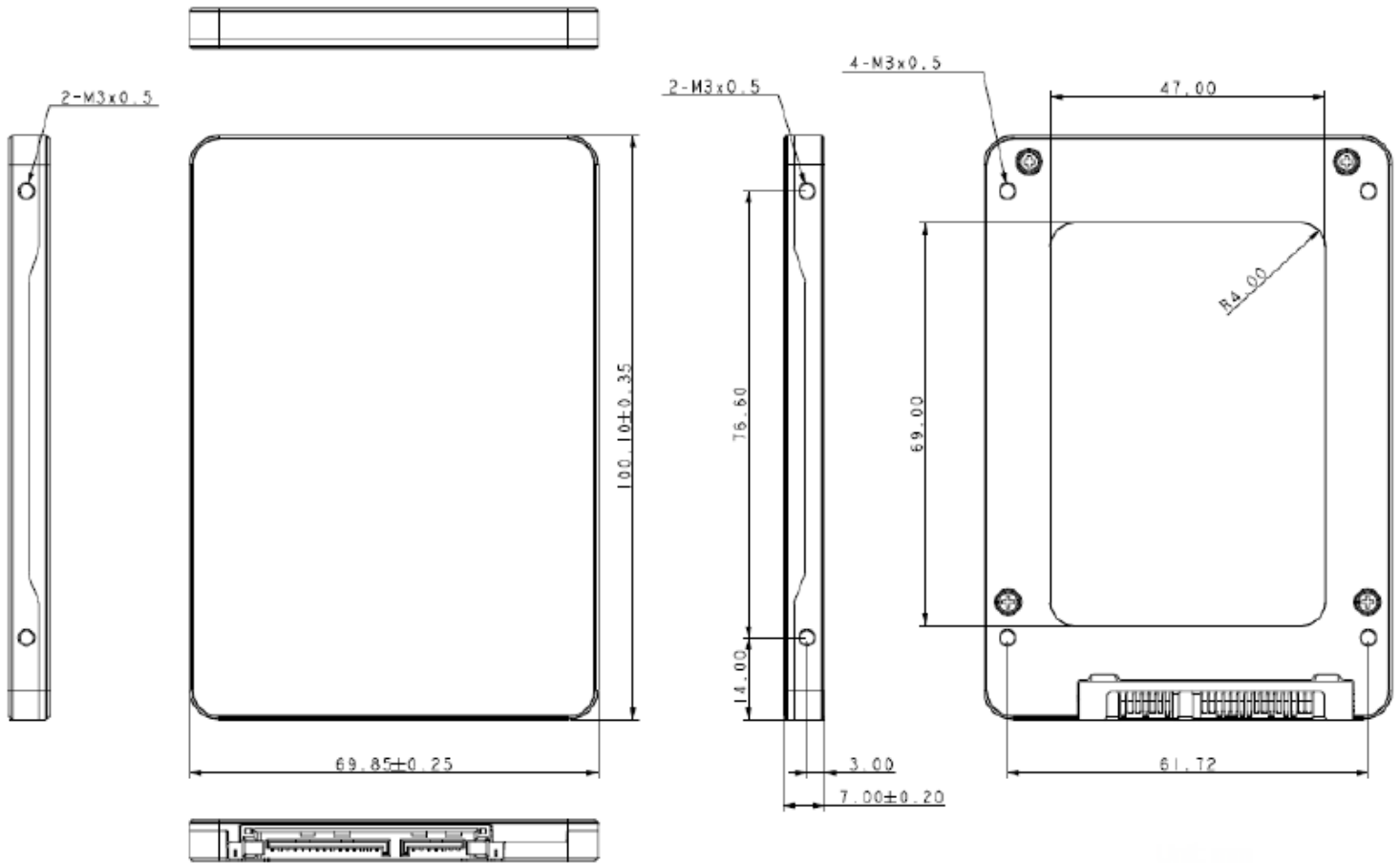
- Built-in hardware ECC
- Global Wear Leveling
- Flash bad-block management
- S.M.A.R.T.
- Power Failure Management
- TRIM
- Support TCG Opal 2.0/AES 256-bit encryption



## Specifications

<b>Model</b>	SM310-25
<b>Interface</b>	SATA 3.0 (6Gb/s)
<b>Connector</b>	(7+15) pin
<b>Form Factor</b>	2.5"
<b>NAND Flash Type</b>	MLC
<b>Capacity</b>	With AES 256 support: 128GB~1TB With TCG Opal 2.0 support: 128GB~512GB
<b>External DRAM</b>	No
<b>Sustained Read Performance (MB/sec)</b>	Up to 530
<b>Sustained Write Performance (MB/sec)</b>	Up to 355
<b>ECC Engine</b>	Built-in 72-bit per 1K bytes BCH ECC
<b>IOPS (4K Random Write)</b>	71K
<b>Standard Operating Temperature ( °C )</b>	0 ~ + 70
<b>Extended Operating Temperature ( °C )</b>	-40 ~ + 85
<b>Storage Temperature ( °C )</b>	-40 ~ + 100
<b>Shock</b>	Operation: 50G/11ms (compliant with MIL-STD-202G) Non-operation: 1500G/0.5ms (compliant with MIL-STD-883K)
<b>Vibration</b>	Operation: 7.69 Grms, 20~2000 Hz/random (compliant with MIL-STD-810G) Non-operation: 4.02Grms, 15~2000 Hz/sine (compliant with MIL-STD-810G)
<b>Operating Voltage</b>	5.0 V±5%
<b>Power Consumption</b>	Active mode: 635 mA / Idle mode: 100 mA
<b>Dimension (L x W x H )</b>	7mm:100.10 x 69.85 x 7.00mm
<b>MTBF (hours)</b>	>1,000,000

## Mechanical Specification



Unit: mm  
Tolerance:  $\pm 2$

For more information,  
contact your Apacer representative

### Global Presence

Taiwan (Headquarters)  
Apacer Technology Inc.  
Tel: +886-2-2267-8000  
Fax: +886-2-2267-2261

Europe  
Apacer Technology B.V.  
Tel: +31-40-267-0000  
Fax: +31-40-290-0686

U.S.A.  
Apacer Memory America, Inc.  
Tel: +1-408-518-8699  
Fax: 1-510-249-9551

China  
Apacer Electronic(Shanghai)  
Co., Ltd.  
Tel: +86-21-6228-9939

Japan  
Apacer Technology Corp.  
Tel: +81-3-5419-2668  
Fax: +81-3-5419-0018

India  
Apacer Technologies Pvt. Ltd.  
Tel: +91-80-41529061~3  
Fax: +91-80-41700215