

Apacer

The Most **Reliable**  
Storage For Industries



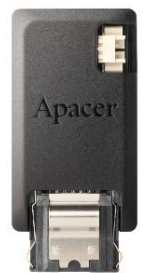
**SDM5A 7P/180D Slim2(H)**



## SDM5A 7P/180D Slim2(H)

### Overview

Apacer's SDM5A (SATA Disk Module 5A) is our next generation disk-on-module (DOM) series that offers elevated speed boost and higher error correction capabilities. Built with SATA 6.0 Gb/s interface, SDM5A delivers higher performance in data transfer than its previous SDM selections, reaching up to 34 MB/s in read and 55 MB/s in write. With its SATA interface compliance and compact size, this high-speed disk module defines an ideal balance of performance, capacities, reliability and cost. SDM5A comes in moderate capacities that are suitable to boot industrial applications and light operating systems for specific operations, while with some extra memory space for data storage. The architectural nature of SATA disk module provides higher resistance to external environmental influences and better flexibility for motherboard space. Regarding data reliability, SDM5A is built in with powerful ECC engine that can correct up to 40 bits per 1KB data. In addition, the controller unit of this DOM device supports wear-leveling, SMART and power failure management for data integrity. With its trustable reliability, performance and cost effectiveness, Apacer's SDM5A is definitely the ideal storage or cache solution for embedded and industrial computers, servers and thin clients.



(Optional)

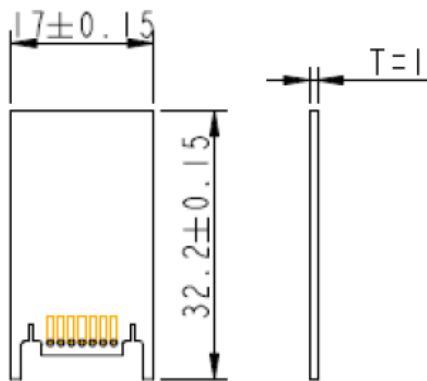
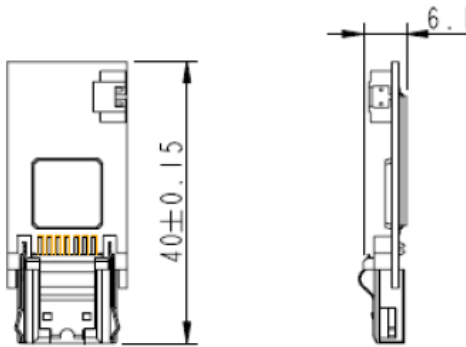
### Feature

- 7-pin SATA connector
- Unique Hook Design
- Power Cable-less Solution
- TRIM Command Support
- Product Housing Selection (Optional)
- Built-in ATA Secure Erase and S.M.A.R.T. Functions
- Global Wear-Leveling and Block Management

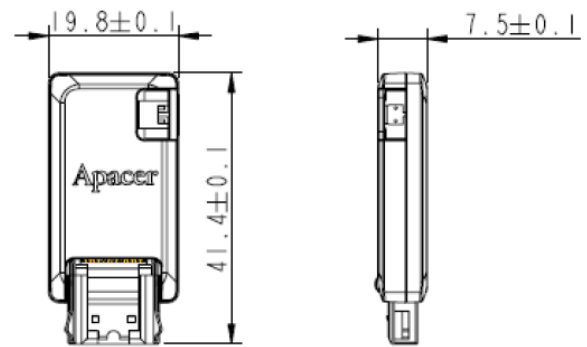
## Specifications

|  |  |
|--|--|
| <b>Model</b>                                 | <b>SDM5A 7P/180D Slim2(H)</b>  |
| <b>Interface</b>                             | SATA 3.0 (6Gb/s)   |
| <b>Connector</b>                             | 7-pin  |
| <b>Form Factor</b>                           | SATA Disk Module   |
| <b>NAND Flash Type</b>                       | SLC  |
| <b>Capacity</b>                              | 1GB~16GB   |
| <b>External DRAM</b>                         | No   |
| <b>Sustained Read Performance (MB/sec)</b>   | Up to 34   |
| <b>Sustained Write Performance (MB/sec)</b>  | Up to 55   |
| <b>ECC Engine</b>                            | Built-in 40-bit per 1K bytes BCH ECC   |
| <b>Standard Operating Temperature ( °C )</b> | 0 ~ + 70   |
| <b>Extended Operating Temperature ( °C )</b> | -40 ~ + 85   |
| <b>Storage Temperature ( °C )</b>            | -40 ~ + 100  |
| <b>Housing</b>                               | Optional   |
| <b>H/W Write Protect</b>                     | No   |
| <b>Screw Hole</b>                            | No   |
| <b>Cable-less Solution</b>                   | Optional (7+2 pin)   |
| <b>Shock</b>                                 | Operation: 50G, 11ms<br>Non-operation: 1500G, 0.5ms  |
| <b>Vibration</b>                             | Operation: 7.69 Grms, 20~2000 Hz/random (compliant with MIL-STD-810G)<br>Non-operation: 4.02 Grms, 15 ~ 2000 Hz/sine (compliant with MIL-STD-810G) |
| <b>Operating Voltage</b>                     | 5.0 V±5%   |
| <b>Power Consumption</b>                     | Active mode: 165 mA & Idle mode: 65 mA   |
| <b>Dimension (L x W x H )</b>                | Without housing: 17 x 40 x 6.1 mm<br>With housing: 19.8 x 41.4 x 7.5 mm  |
| <b>MTBF (hours)</b>                          | >2,000,000   |

## Mechanical Specification (Housing is optional)



(Optional)



Unit: mm

For more information, contact your Apacer representative

### Global Presence

Taiwan (Headquarters)  
Apacer Technology Inc.  
Tel: +886-2-2267-8000  
Fax: +886-2-2267-2261

Europe  
Apacer Technology B.V.  
Tel: +31-40-267-0000  
Fax: +31-40-290-0686

U.S.A.  
Apacer Memory America, Inc.  
Tel: +1-408-518-8699  
Fax: 1-510-249-9551

China  
Apacer Electronic(Shanghai)  
Co., Ltd.  
Tel: +86-21-6228-9939

Japan  
Apacer Technology Corp.  
Tel: +81-3-5419-2668  
Fax: +81-3-5419-0018

India  
Apacer Technologies Pvt. Ltd.  
Tel: +91-80-41529061~3  
Fax: +91-80-41700215