

Apacer

The Most **Reliable**
Storage For Industries



SDM5A-M 7P/90D MP2



SDM5A-M 7P/90D MP2

Overview

Apacer's SDM5A-M (SATA Disk Module 5A-M) is our next generation disk-on-module (DOM) series that offers elevated speed boost and higher error correction capabilities. Built with SATA 6.0 Gb/s interface, SDM5A-M delivers exceptional performance in data transfer. With its SATA interface compliance and compact size, this high-speed disk module defines an ideal balance of performance, capacities, reliability and cost. SDM5A-M is effective in boot industrial applications and light operating systems for specific operations, while with some extra memory space for data storage. The architectural nature of SATA disk module provides higher resistance to external environmental influences and better flexibility for motherboard space. Regarding data reliability, SDM5A-M is built in with powerful ECC engine that can correct up to 40-bit per 1KB data. In addition, the controller unit of this DOM device supports wear-leveling, SMART and power failure management for data integrity. With its trustable reliability, performance and cost effectiveness, Apacer's SDM5A-M is definitely the ideal storage or cache solution for embedded and industrial computers, servers and thin clients.



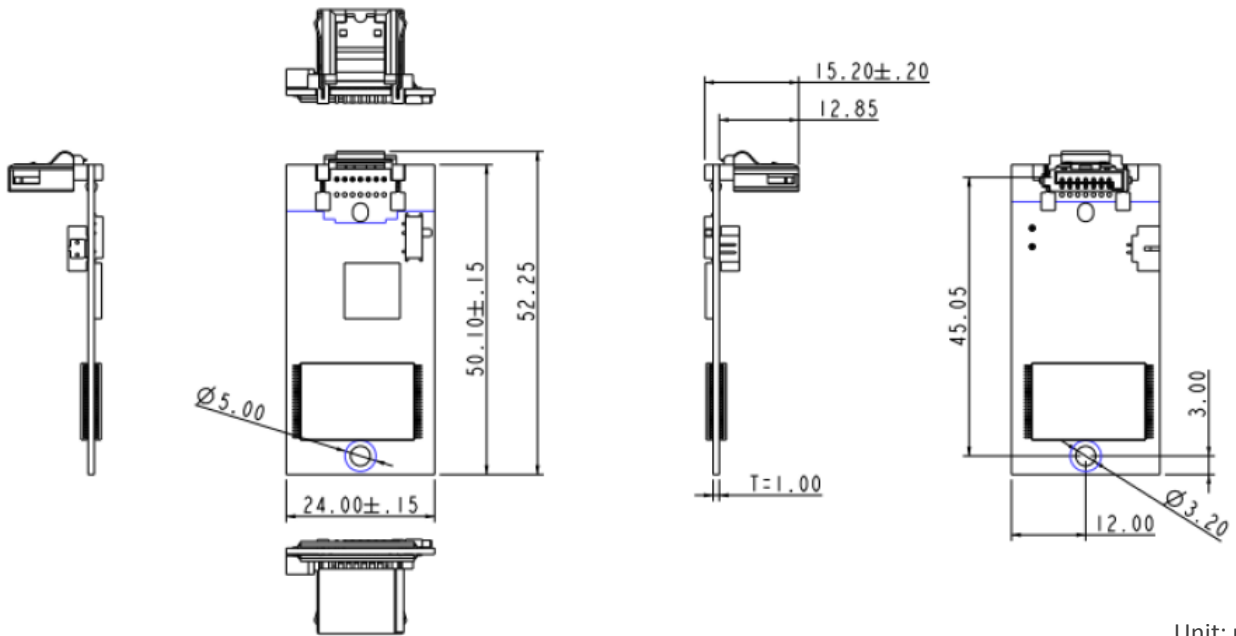
Feature

- 7-pin SATA connector
- Unique Hook Design
- Power Cable-less Solution
- Perfect Solution for 1U System
- TRIM Command Support
- Write Protect by hardware switch (optional)
- Built-in ATA Secure Erase and S.M.A.R.T. Functions
- Global Wear-Leveling and Block Management

Specifications

Model	SDM5A-M 7P/90D MP2
Interface	SATA 3.0 (6Gb/s)
Connector	7-pin
Form Factor	SATA Disk Module
NAND Flash Type	MLC
Capacity	4GB~64GB
External DRAM	No
Sustained Read Performance (MB/sec)	Up to 245
Sustained Write Performance (MB/sec)	Up to 75
ECC Engine	Built-in 40-bit per 1K bytes BCH ECC
Standard Operating Temperature (°C)	0 ~ + 70
Extended Operating Temperature (°C)	-40 ~ + 85
Storage Temperature (°C)	-40 ~ + 100
Housing	No
H/W Write Protect	Optional
Screw Hole	Yes
Cable-less Solution	Optional (7+2 pin)
Shock	Operation: 50G, 11ms Non-operation: 1500G, 0.5ms
Vibration	Operation: 7.69 Grms, 20~2000 Hz/random (compliant with MIL-STD-810G) Non-operation: 4.02 Grms, 15 ~ 2000 Hz/sine (compliant with MIL-STD-810G)
Operating Voltage	5.0 V±5%
Power Consumption	Active mode: 205 mA & Idle mode: 80 mA
Dimension (L x W x H)	52.25 x 24.0 x 15.2 mm
MTBF (hours)	>1,000,000

Mechanical Specification



For more information, contact your Apacer representative

Global Presence

Taiwan (Headquarters)
Apacer Technology Inc.
Tel: +886-2-2267-8000
Fax: +886-2-2267-2261

Europe
Apacer Technology B.V.
Tel: +31-40-267-0000
Fax: +31-40-290-0686

U.S.A.
Apacer Memory America, Inc.
Tel: +1-408-518-8699
Fax: 1-510-249-9551

China
Apacer Electronic(Shanghai)
Co., Ltd.
Tel: +86-21-6228-9939

Japan
Apacer Technology Corp.
Tel: +81-3-5419-2668
Fax: +81-3-5419-0018

India
Apacer Technologies Pvt. Ltd.
Tel: +91-80-41529061~3
Fax: +91-80-41700215