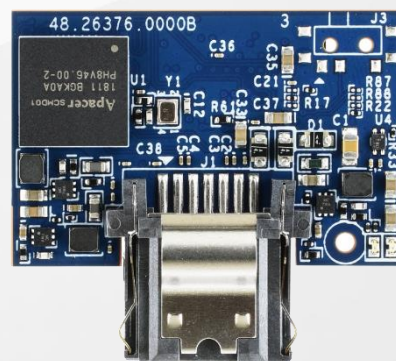


## The Most **Reliable** Storage For Industries

**SV250-7LP2**



## SV250-7LP2

### Overview

Apacer SV250-7LP2 (SATA Disk Module 7Pin/180 Degree Low Profile 2) is a super-mini industrial SSD module, utilizing 3D NAND for higher capacity up to 240 GB and provides more power efficiency than 2D NAND. Designed in SATA 6.0 Gb/s interface, SV250-7LP2 can deliver outstanding performance up to 560 MB/s in reading and 510 MB/s in writing, highly suitable to serve as operating system boot drive or storage media of important data.

SV250-7LP2 features Apacer Multi-PowerPath technology that provides three methods to supply power to the host either via a conventional cable or cable-less design via pin7 or state-of-art 7+2 pin connector, which in turn offers developers maximum flexibility when it comes to board design.

Moreover, the device adopts the latest page mapping file translation layer and thermal throttling function, making it a powerful yet compact solution for space-limited design. Regarding reliability, SV250-7LP2 is implemented with LDPC (Low Density Parity Check) ECC engine to extend SSD endurance and increase data reliability while reading raw data inside a flash chip.



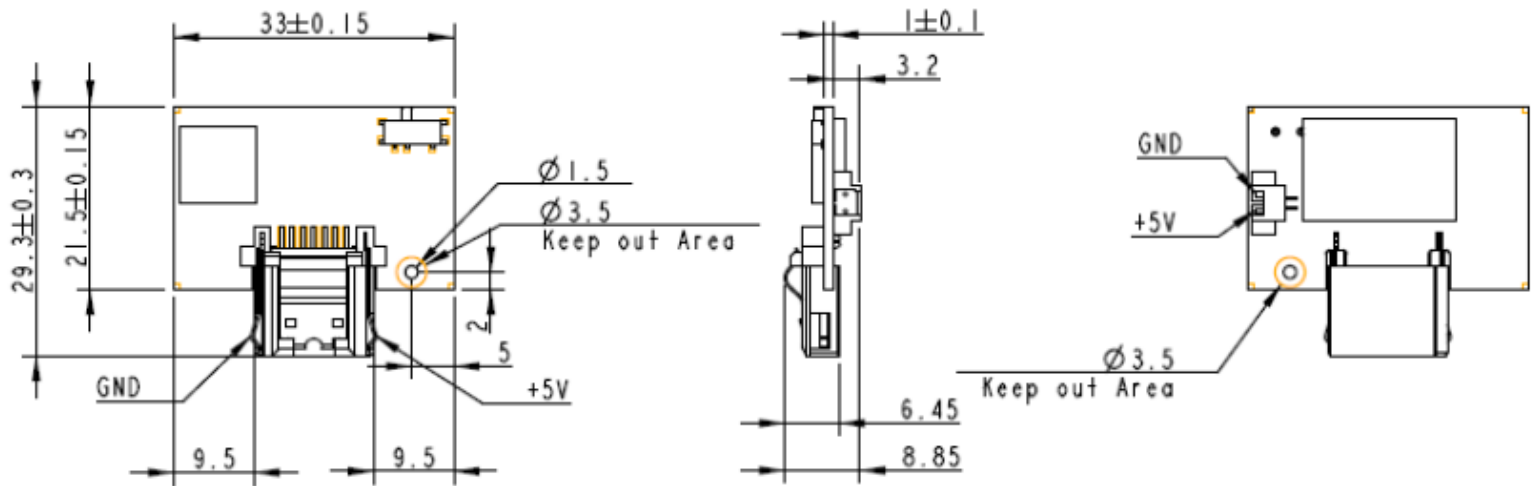
### Feature

- Low-Density Parity-Check (LDPC) Code
- Global Wear Leveling
- Flash bad-block management
- Flash Translation Layer: Page Mapping
- S.M.A.R.T.
- Power Failure Management
- Support TCG Opal 2.0/AES 256-bit encryption
- ATA Secure Erase
- TRIM Support
- Hyper Cache Technology
- Over-Provisioning
- DataRAID™
- SMART Read Refresh™

## Specifications

<b>Model</b>	SV250-7LP2
<b>Interface</b>	SATA 3.0 (6Gb/s)
<b>Connector</b>	7-pin
<b>Form Factor</b>	SATA Disk Module
<b>Transfer Mode</b>	–
<b>NAND Flash Type</b>	3D TLC
<b>Capacity</b>	30GB ~ 120GB
<b>Sustained Read Performance (MB/sec)</b>	Up to 560
<b>Sustained Write Performance (MB/sec)</b>	Up to 510
<b>ECC Engine</b>	Low-Density Parity-Check (LDPC) Code
<b>Standard Operating Temperature ( °C )</b>	0 ~ + 70
<b>Wide Temperature ( °C )</b>	–
<b>Storage Temperature ( °C )</b>	-40 ~ + 100
<b>H/W Write Protect</b>	Optional
<b>Shock</b>	Operation: 50G, 11ms Non-operation: 1500G, 0.5ms
<b>Vibration</b>	Operation: 7.69 GRMS, 20~2000 Hz/random (compliant with MIL-STD-810G) Non-operation: 4.02 GRMS, 15~2000 Hz/random (compliant with MIL-STD-810G)
<b>Operating Voltage</b>	5.0 V ± 5%
<b>Power Consumption</b>	Active mode: 300 mA / Idle mode: 60 mA
<b>Dimension (L x W x H )</b>	33.00 mm x 29.30 mm x 8.85 mm
<b>MTBF (hours)</b>	>1,000,000

## Mechanical Specification



Unit: mm

For more information,  
contact your Apacer representative

### Global Presence

Taiwan (Headquarters)  
Apacer Technology Inc.  
Tel: +886-2-2267-8000  
Fax: +886-2-2267-2261

Europe  
Apacer Technology B.V.  
Tel: +31-40-267-0000  
Fax: +31-40-290-0686

U.S.A.  
Apacer Memory America, Inc.  
Tel: +1-408-518-8699  
Fax: 1-510-249-9551

China  
Apacer Electronic(Shanghai)  
Co., Ltd.  
Tel: +86-21-6228-9939

Japan  
Apacer Technology Corp.  
Tel: +81-3-5419-2668  
Fax: +81-3-5419-0018

India  
Apacer Technologies Pvt. Ltd.  
Tel: +91-80-41529061~3  
Fax: +91-80-41700215