

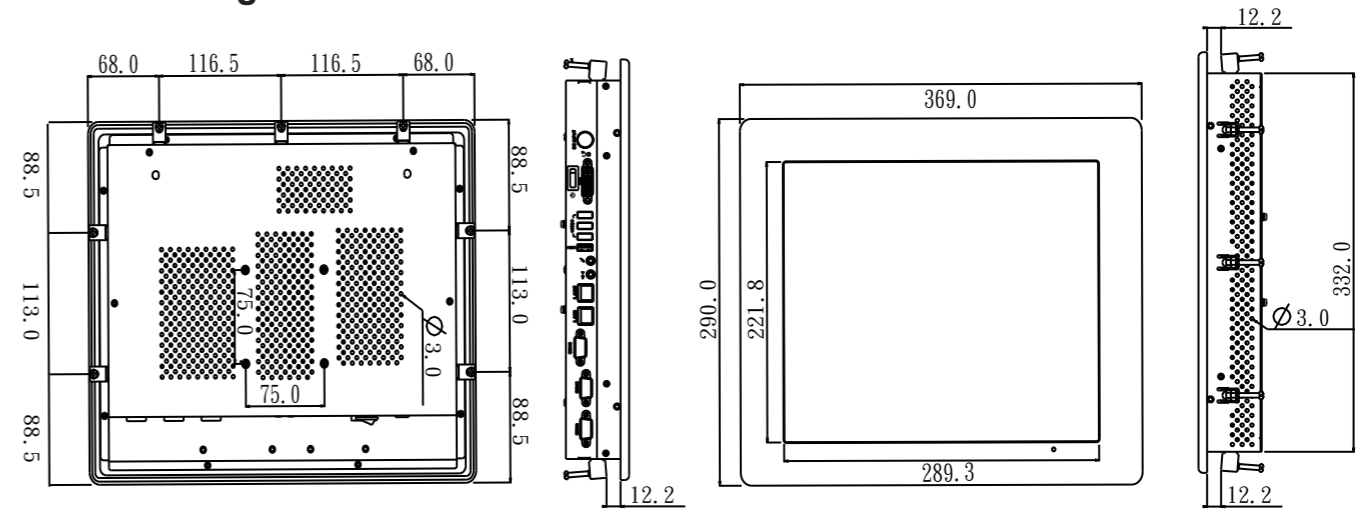


Key Features

- 12" Intel Baytrail Fanless Industrial Panel PC
- Low power and true fanless thermal solution
- Onboard Intel Celeron J1900 SoC
- 12" LCD with full flat touch screen
- IP66 in front water/dust proof bezel
- Panel mount capability
- CE, FCC, VCCI Class B passed
- Optional Mini-PCIe WLAN with external antenna



Outline Drawing



Main System

CPU	Intel® Celeron® J1900 2.0 GHz quad-core processor 10W
Graphics	Intel® HD Graphics
Memory	Two 1333 MHz DDR3L SODIMM socket support dual Channel, non-ECC, up to 8 GB

I/O & Power & Control Keys

USB	USB 2.0 x 3, USB 3.0 x 1
COM	DB-9 x 3 {RS232 x 2, RS232/422/485 x 1 (Set by BIOS, RS485 auto flow)}
LAN	RJ-45 x 2, Gigabit
Audio	Line-out, Microphone-in (3.5 mm phone-jack)
DVI output	DVI-I x 1
Power input	DC-in x 1, 7V~32V
Power adaptor	External, 57 watts, 90~264V AC in, 12V DC out, 1.2m DC cable
Power consumption	30.702 W (MAX. Loading without adapter)
Control keys	Rear bottom: Power on/off, reset

LCD Panel

Size	12" 4:3
Brightness	450 nits
Resolution	SVGA (800 x 600)
Color numbers	16.2M colors (6bit+ HiFRC); 262K colors selectable
Viewing angle	160 (H) / 140 (V)
Contrast	700:1

Mechanical & Environmental

Housing	Front bezel is Aluminum, others are SECC
IP rating	Front IP66
Cooling	Fanless
Dimension	369 x 290 x 55 mm (W x H x D, panel mount)
Weight (net)	4.5 Kg (approximate, w/o power adaptor)
Temperature	· Operating: 0°C~50°C (w/ air flow) / 0°C~40°C (no air flow) · Storage: -20°C~65°C
Humidity	Operating & storage – 10%~90%, non-condensing
Regulatory	FCC, CE(EMC), VCCI Class B

Touch Panel

Technology	5-wire resistive touch (default)	Projected capacitive touch (option)
Type	Front full flat touch panel	Front full flat 2 point touch panel
Transparency	80±5%	90% ± 3%
Hardness	4H	7H
Durability	Knock 35 million times	Knock 100 million times

* OS support (Multi point) : Win 7 pro, Win 8, Win 8.1 industrial, Win10

Storage & Expansion

HDD	2.5" SATA HDD drive bay x 1 + anti-vibration kit, 320 / 500 GB
Expansion slot	Mini PCIe x 2 (52 pin card-edge type)

Ordering Information

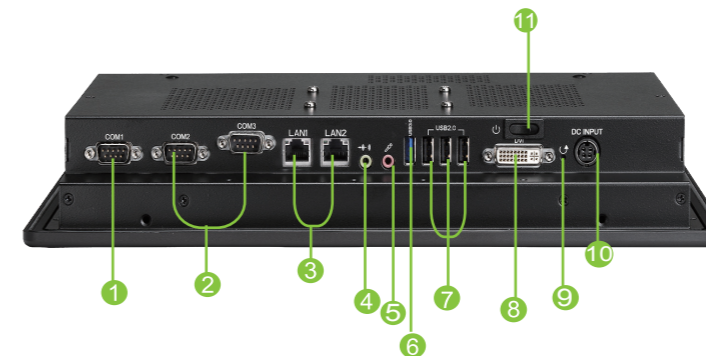
WLP-7B20-12 (BKFT)	R-Touch	Celeron-J1900 / 2G RAM / 320G HDD
WLP-7B20-12 (BKPT)	P-cap Touch	Celeron-J1900 / 2G RAM / 320G HDD

Options

- Wireless or Wireless and BT kit (2 Dipole ant)
- 2.5" SSD
- DC input power plug (black, 1.22m length)
- Stainless front bezel
- Change full flat resistive touch to P-cap touch (BKPT)
- Sliver front bezel
- Chassis type housing

Customization

- Open frame housing
- Storage door Solution
- Sunlight readable optical bonding
- LCD Auto dimming
- LCD Super dimming (Low brightness)
- TPM



- 1 RS232/422/485
- 2 RS232 x 2
- 3 LAN x 2
- 4 Line out
- 5 Microphone-in
- 6 USB 3.0
- 7 USB 2.0 x 3
- 8 DVI-I output
- 9 Reset
- 10 DC-in
- 11 Power on/off

